

Office
Building

Corporate
Headquarters

Auto
Dealership

Dining Hall



Architectural Woodwork Institute

design solutions

Summer 2020 | \$6.25



WE SILENCED THE “BEAN COUNTERS”



STARBUCKS RESERVE ROASTERY
CHICAGO, ILLINOIS

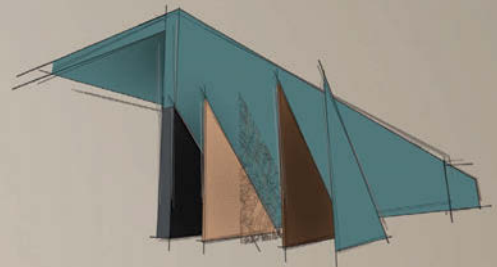


AND ALSO
THIS BEAN
COUNTER.

FABRICATION & INSTALLATION
BY PARENTI & RAFFAELLI, IL

Within the world's largest Starbucks, a massive amount of noise is generated from machinery and 8,000 daily customers. That noise, combined with the store's concrete floors and open spaces, necessitated an exceptionally sound absorbent and—considering the amount of material required—cost effective acoustic solution.

SoundPly acoustic panels were the solution. With their unmatched decibel reduction per dollar, the world's most effective acoustic panels don't just control sound, they control costs.



SoundPly panels' patented, precisely engineered construction is key to their unmatched customization of finishes, thickness and sizes.

SOUNDPLY®

learn more about the world's
quietest acoustic panels at
www.soundply.com



SEAMLESS

JOB MANAGEMENT + SHOP CONTROL



Takeoff
Estimating
Quotations
Order Entry
Scheduling
Purchasing
Receiving

Inventory
Shipping
Job Costing
Project
Management
Billing
Alerts

 **TradeSoft**^{INC}

Thrill clients by delivering high quality jobs on time and within budget.

Front to back—We've got you covered. TM

www.tradesoftinc.com 800.289.6326

2020 Insight

ERP software for project-based businesses

- Estimating (cost-based)
- Project Management
- Engineering
- Scheduling
- Shop Floor Execution
- Machine Integration
- Purchasing and Inventory
- Shipping, Installation and Billing

2020spaces.com/2020insight/millwork

WATCH 2020 INSIGHT WEBINAR

TF: +1.888.216.1844 T: +1.919.319.0888 E: 2020insightsales@2020spaces.com

ALUMINUM FOR ARCHITECTURAL MILLWORK

Eagle Mouldings is your single source for custom architectural aluminum trims and extrusions. Our primary goal is to deliver personalized reliable service, high-quality products, short lead times, all at a fair price.

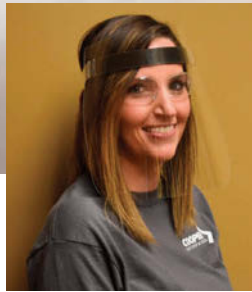
800-888-2044

eagle-aluminum.com



Architectural Millwork • Store Fixture and Displays • Slatwall • Z-Clips • Restaurants • Custom Extrusions

16



New products news **P54**

Journal of the  Architectural Woodwork Institute

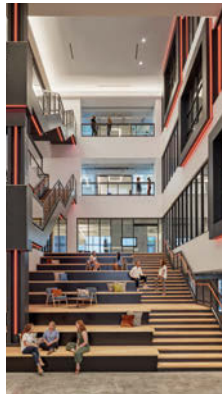
Summerdesign solutions



16

PLATINUM BUILDING.

LEED Platinum space adds distinctive amenity spaces and a strong sense of place.



24

OFFICE NEIGHBORHOODS.

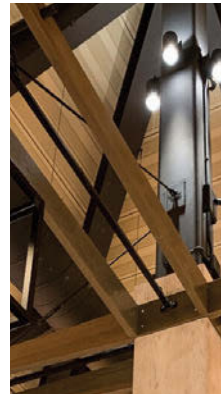
Themed floors set the stage for Boston company's creative workplace.



32

DRIVING DESIGN.

Lincoln dealer brings luxury to facility with elegant Wenge wood.



40

COMFORTABLE DINING.

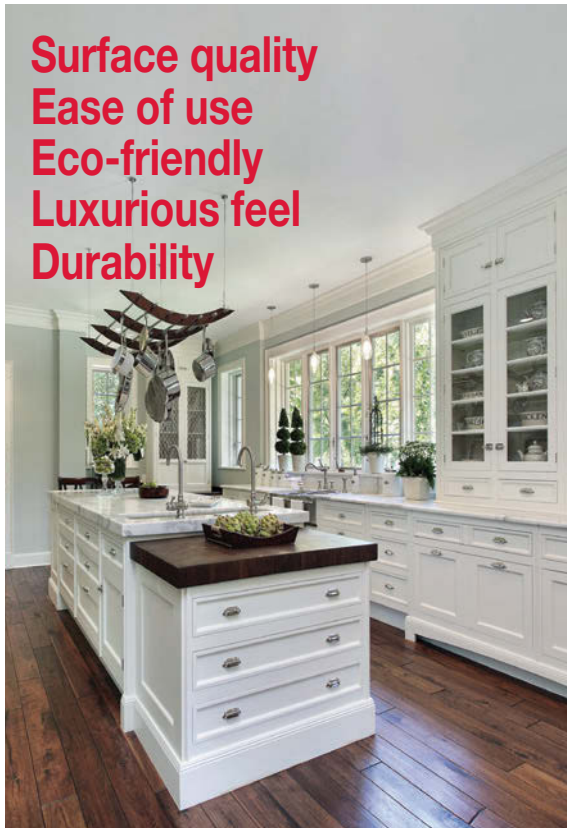
Secondary school renovates and expands dining hall.



49

CONCURRENT STAIRWAY DESIGN.

Concurrent stairway design mitigates integration issues, code violations, project delays, and cost overruns.



Surface quality
Ease of use
Eco-friendly
Luxurious feel
Durability

Milesi 275 VOC Compliant Polyurethane Solutions

The latest innovation in air quality compliant wood coatings, available in white and clear versions

ivm Group
Coatings & polymers technologies

www.milesi.com

M
milesi
wood coatings

Departments

11	CORNERSTONE
53	PRODUCT SHOWCASE
57	AWI MANUFACTURING MEMBERS
69	AD INDEX
71	AWI SUPPLIER MEMBERS

AWI Officers:

PRESIDENT

Tyler Cerny
Strata Design
Traverse City, MI

PRESIDENT-ELECT

Sebastien DesMarais
Hollywood Woodwork, Inc.
Hollywood, FL.

VICE PRESIDENT

Mike Cotichio
Siteline Interior Carpentry, Inc.
Chicago, IL

TREASURER

Skip Heidler
Heidler Hardwood Lumber Co.
Chicago, IL

IMMEDIATE PAST PRESIDENT

Mike McNulty
Cambio Plywood division of
The Pearwood Group
Cranston, RI

Magazine Staff:

Editor: Elaine M. Ferri

ADVERTISING COORDINATOR

Cheryl Stratos
(703) 212-7737 adsales@awinet.org

ART DIRECTOR

Josiah Lewis

PROJECT MANAGER

Margaret Fisher

Copyright © 2020 by the
Architectural Woodwork Institute
46179 Westlake Dr., Suite 120
Potomac Falls, VA 20165
All rights reserved. Reproduction
without permission is prohibited.

Cover: Washington D.C.'s 1101 Sixteenth Street rejuvenates and links two adjacent 1970s buildings into one freestanding office building in downtown. Celebrating the area's rich history and minimizing overall real estate environmental impact were guiding principles for the repositioning of the building, blocks from The White House. See story, page 16.

designsolutions

(ISSN 0277-3538) is published quarterly by the Architectural Woodwork Institute, 46179 Westlake Drive, Suite 120, Sterling, VA 20165. Periodicals postage paid at Potomac Falls, VA and additional mailing offices. Postmaster: send address changes to designsolutions, 46179 Westlake Drive, Suite 120, Potomac Falls, VA 20165. Address subscription correspondence to Design Solutions. Subscription price: \$25/year.

Editorial and advertising inquiries should be addressed to:

designsolutions

46179 Westlake Drive, Suite 120, Potomac Falls, VA 20165
Phone (571) 323-3636,
Fax (571) 323-3630.
E-mail kallen@awinet.org.
Web: awinet.org

Opinions expressed in articles are not necessarily those of the Architectural Woodwork Institute. Publication of advertising does not imply endorsement of products/services. All advertising copy is subject to the approval of the publisher; publisher reserves the right to reject advertising. Unsolicited editorial materials must be accompanied by sufficient return postage. Publisher reserves the right to reject editorial copy.

The magazine assumes no responsibility for loss of or damage to such material. Any material accepted is subject to such revision as is necessary in our sole discretion to meet the requirements of this publication. Material published in *Design Solutions* remains the property of the magazine. No material, nor parts thereof, may be reproduced or used out of context without prior approval of and proper credit to the magazine.



Make every project a stunning success

At Precision Veneer, we create strong, long-lasting relationships with our clients. As one of North America's leading manufacturers of wood veneer panels, we produce quality veneer for the most challenging commercial, hospitality, institutional and residential projects.

We take pride in the close connections we build, listening to your needs, exceeding your

expectations and saving you both time and money on the jobsite. We believe it is insightful understanding and collaboration that makes every project a stunning success.

For information on how we can enhance your next project, **call 877-768-5512** or visit **precisionveneer.com**.



**PRECISION
VENEER**

With CCF you're never out of options!

We give you more options
than anyone in the industry!

An economical alternative for price-sensitive projects



Our Economy Line

- Pre-finished Baltic Birch Plywood
- Foil top edge
- Exposed unfinished dovetails
- Quick turnaround
- Great savings



4716 Rt. 66 Apollo, PA 15613 800.581.3683 phone: 724.727.2045 fax: 724.727.3015

www.ccfdrawers.com



Chemcraft®

A Great Finish is Only the Beginning

AkzoNobel

Our target was to set a new standard for Pre-Cat performance

Introducing Varicure® Select and Variset®
Select. Chemical and moisture resistance
taken to a whole new level.



Visit chemcraft.com for more information
and to locate your nearest distributor

© 2019 AkzoNobel Chemcraft® is a registered trademark of Akzo Nobel Coatings Inc.

Need to outsource casework fabrication?

Choose **Cooper Enterprises** as your
manufacturing partner.

Education | Healthcare | Hospitality | Commercial



89 Curtis Drive | Shelby, OH
(419) 347-5232
sales@cooperenterprises.com
<https://cooperenterprises.com>



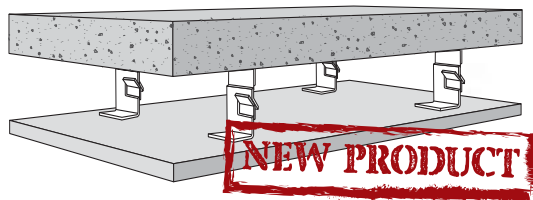
MONARCH
METAL FABRICATION

Don't Subcontract Your Wall Panels!

Large selection of stock profiles



Monarch Ceiling Mounting Clips



Interconnecting clips for mounting ceiling panels restrict movement vertically and horizontally

CALL TO ORDER

(631)750-3000

WWW.MONARCHMETAL.COM



HARDWOOD PANEL PRODUCTS

Designers and manufacturers of cabinets, furniture, casework and store fixtures depend on States hardwood panels to create beautiful, durable and environmentally responsible products.



NAF/NAUF PANELS AVAILABLE



UV CURED PREFINISHED PANELS



LARGE CORE AND VENEER SELECTION



PANEL PROCESSING CAPABILITIES

WHAT ARE YOU CREATING TODAY?

800.626.1981
StatesInd.com



WE'RE A FULL SERVICE PLYWOOD COMPANY, AND OFFER:

- ▶ Short turnaround times
- ▶ In house veneer mill with custom capabilities
- ▶ Exceptional customer service
- ▶ Over 100 Species both Natural & Engineered
- ▶ Specialty sizes ranging up to 5'X 12'
- ▶ Thickness' ranging from 1/8" to 2"
- ▶ Intensive Quality Control Department
- ▶ Cross Grain Splicing and Sanding
- ▶ Wire Brushing and Texturing Capabilities
- ▶ Paperback Veneers
- ▶ Melamine and High Pressure Laminates
- ▶ Live Log online inventory for specific log selection

VISIT BIRCHLANDPLYWOOD.COM
AND VIEW OUR "LIVE LOG PROGRAM"



Birchland Plywood-Veneer Limited

Contact our team: Sales@BirchlandPlywood.com
or call us at 1-800-461-2226



Superior, Sustainable MDF

Roseburg offers the most diverse array of highly specified MDF brand names in North America with features including no-added formaldehyde, moisture-resistance and Class 1 (A) fire-rating. Many of our most popular interior products are covered by a UL-certified **EPD (Environmental Product Declaration)** demonstrating our commitment to minimizing cradle-to-gate impact.

- LEED® v4 credit support
- FSC® certified available



MAKING LIVES BETTER
FROM THE GROUND UP.™

roseburg.com

HÄFELE

PANEL ATTACHMENT MADE EASY



No matter the environment, scale or scope of the project, Button-fix from Häfele is an immensely versatile solution for attaching panels of all types to walls and other structures. Whether it's in a commercial or residential setting and your panels are decorative, acoustic, upholstered or something entirely different, Button-fix allows for simple and precise installation and removal at any time.

LET OUR EXPERTS HELP GET YOUR NEXT PROJECT STARTED!

Online & Livechat: www.hafele.com/us
Phone: 800.325.6202
Email: experts@hafele.us

INTEREST. INNOVATE. INFORM.

AWI SPEAKERS BUREAU IS THE VOICE OF THE WOODWORKING INDUSTRY.



The AWI Speakers Bureau offers a variety of informative **AIA/CES-approved programs** that will add vigor and interest to your next meeting or seminar. Presented by architectural woodworking experts, **topics are tailored for architects, designers, contractors or chapters.**

GO TO **AWISPEAKER.ORG**
TO MATCH YOUR
EDUCATIONAL NEEDS.



STRENGTHEN YOUR COMPETITIVE EDGE

Prepare for the economic upswing with IMA's affordable **Novimat Compact L12 Edgebander**. Automation of essential functions simplifies operation. Edge materials up to 12 mm thick are reliably applied, providing the highest-quality edge processing at a lower price.



CLEARANCE PRICING
ON IN-STOCK MACHINES
FOR QUICK DELIVERY!



301 Kitty Hawk Drive, Morrisville, NC
919.544.0430 | www.imaschelling.us

PARTNER WITH DAIK FOR CORPORATE PROJECTS

RELY ON DAIK FOR OVERSCALE AND CUSTOM FURNITURE

PARTNER WITH DAIK FOR TESTED FIRE RATED PROJECTS. HISTORIC? DIFFICULT? CALL US. WE **WORK DIRECTLY FOR YOU**, BEHIND THE SCENES TO YOUR SPECIFICATIONS AND WE **SHIP ANYWHERE** TO MEET YOUR DEADLINE. LET **DAIK QUOTE YOUR NEXT PROJECT.**



THIS CONFERENCE TABLE, CUSTOM CREDENZAS AND WALL PANELS WERE CREATED ON A TIGHT DEADLINE TO EXACTING SPECIFICATIONS. **PARTNER WITH DAIK.**



14981 32 MILE RD.

BRUCE TWP., MI 48065

WWW.DAIKWOODWORKS.COM



586 268 1144



M. Bohlke Corp.

8375 N. Gilmore Rd.
Fairfield, OH

+1-513-874-4400
mbvener.com
sales@mbvener.com

Architectural Veneer & Lumber



Featured Millwork
Brochsteins | brochsteins.com
Custom Architectural
Woodwork + Furniture since 1935

MACHINES THAT GET THE JOB DONE...RIGHT.



MACHINERY | PARTS | SERVICE | TRAINING

616.698.7500 | www.stilesmachinery.com

STILES | HC
A HOMAG COMPANY



Obsessed with every detail.

PRODUCING BEAUTIFUL WOOD PRODUCTS IS YOUR PASSION.
OURS IS IN THE DETAILS.

At Sherwin-Williams, we take the guesswork out of your finishing operation with customized solutions tailored to meet your specific needs and a relentless focus on developing industry-leading technologies that help you bring out the natural beauty in your wood products.

Partnering with you to meet and exceed your most challenging performance and application needs is what drives us.

Let us show you what's next



TO LEARN MORE, CONTACT OUR TEAM AT 877-705-2681
OR VISIT OEM.SHERWIN-WILLIAMS.COM

MOTIVATE. EDUCATE. ELEVATE.

AWI SPEAKERS BUREAU IS THE PERFECT RESOURCE FOR YOUR NEXT SEMINAR.

The AWI Speakers Bureau offers a variety of informative **AIA/CES-approved programs** that will add vigor and interest to your next meeting or seminar. Presented by architectural woodworking experts, **topics are tailored for architects, designers, contractors or chapters.**



GO TO AWISPEAKER.ORG TO MATCH YOUR EDUCATIONAL NEEDS.



VISION:

To be the global leader in architectural woodwork standards, related interior finishes, industry-specific education and networking opportunities.

cornerstone

Inside Info For Design And Construction Professionals

A Message from
New AWI Executive
Vice President Doug Hague.

Change.

Six simple letters that combine to take on a very impactful meaning. The English language allows for it to be both a noun and a verb, but the meaning is constant, to make different. Some change is a voluntary pursuit and other times change is handed to us by another individual or situation.



Last year I elected for personal change. I applied for and pursued the role of AWI Executive Vice President. On January 1, 2020, **I began to live out the results of this pursuit of change.** Change was a huge driving force behind my decision. An opportunity to use my skillset to be a part of a team that can impact the wood industry. I must say in my first five months experience, it has been a true blessing to serve and to see firsthand how the association can be an element of change.

On March 11, 2020, President Trump addressed the nation to speak about the change that we all would experience from a **world pandemic.** This address and the days following forced change in how we would travel, interact with one another, educate our students, and live our lives. Though none of us were ultimately responsible for the cause, we are affected by the change.

On May 25, 2020, the **death of George Floyd** occurred. Since the tragedy, many have pursued one major item - change. Seeking change in our governmental systems, encouraging change in the way we see and love one another, and insisting change for all the generations that follow. Many protests, memorials and other acts are all seeking one element, change. To make a difference, the kind of difference that demands no other individual would lose their life in this situation and justice can be had by all.

On June 1, 2020, ANSI/AWI 0641 - **Architectural Wood Casework Standard became effective change for the wood industry.** The AWI leadership pursued this change in 2015 and now the team in 2020 executed a major component of their envisioned change. The new standard functions and reads differently than the previous standards. But it enables change to occur so that manufacturers can maximize their manufacturing efficiency.



The new standard allows for the design community to specify the exact need of their client so maximized value may be pursued by all.

These four examples are all unique and vastly different within their own context. But they are bound together by one entity, change. Those six simple letters combining to make an impactful meaning.

Change is not comfortable for all. It often comes with unknowns or uncertainty. If you are a leader, your followers (friends, family, coworkers, etc.) lean on you and need your stability during change. Change is not easy for all to digest, process, or embrace.

Please be mindful of this as you attempt or endure any change. Be that support piece and reach your entire group through the process.

Change is inevitable! Embrace it. Find ways to use your abilities to solicit change for the better. Regardless of the situation, you can be that instrument of change that can impact the lives of many. I trust you will all strive for impactful change, personal or something felt around the world. Take that first step! The steps that follow are much easier with the momentum of the first.

Find your impact and go be that positive change that is needed in your given situation. Let's all do our part and the world as we know it will be a better place. 🌍

Doug Hague
AWI EXECUTIVE VICE PRESIDENT



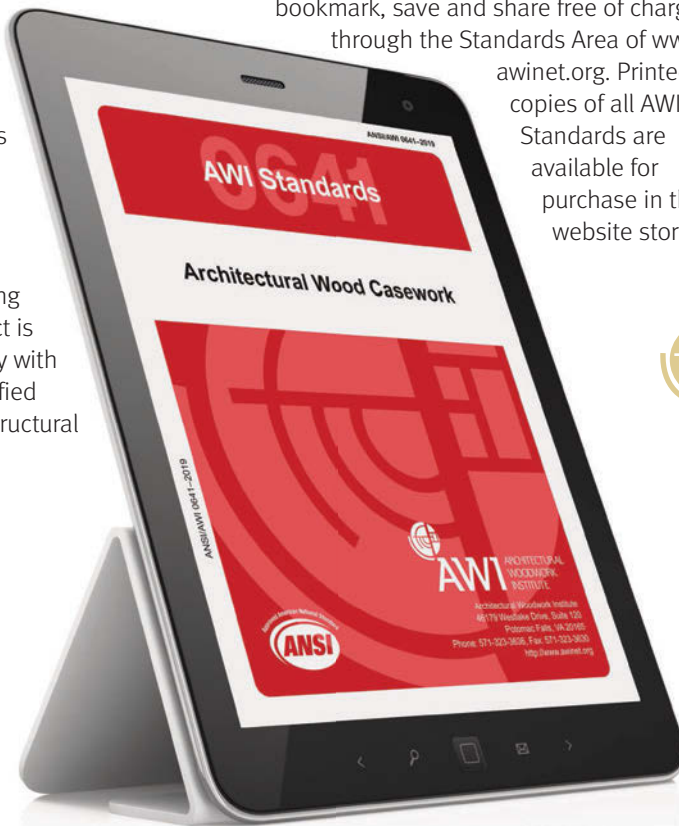
NEW AWI STANDARDS NOW AVAILABLE.

The ANSI/AWI 0641-2019 — Architectural Wood Casework Standard took effect June 1, 2020, and succeeds, replaces, and supplants Section 10 of the *Architectural Woodwork Standards, Edition 2* (2014) as the most current version of the AWI Standards for architectural wood casework.

▶ **THE ANSI / AWI 0641-2019—ARCHITECTURAL WOOD CASEWORK STANDARD** encompasses a variety of architectural wood casework, including wood veneer-faced architectural cabinets, plastic-laminate-clad architectural cabinets, and cabinet and drawer hardware as specified under CSI MasterFormat Division 6. This standard establishes structural and aesthetic tolerances for each of the aforementioned applications, ensuring that the final product is of the utmost quality with regards to the specified visual appeal and structural integrity.

▶ **THE ANSI / AWI 0641-2019—ARCHITECTURAL WOOD CASEWORK STANDARD**, as well as, **AWI 100—SUBMITTALS, AWI 200—CARE & STORAGE, AWI 300—MATERIALS, AND ANSI / AWI 0620-2018—FINISH CARPENTRY INSTALLATION STANDARD** are presented in an interactive format online to view, bookmark, save and share free of charge through the Standards Area of www.awinet.org. Printed copies of all AWI Standards are available for purchase in the website store.

With a trial membership, AWI is also offering non-member users free access to relevant education information, online My AWI Community discussions and member company specialties through its website's powerful new search feature that is the gateway to AWI's robust Digital Learning Portal at www.awinet.org. Current AWI members have unlimited access to these bonus materials for the length of their membership.



Brooklyn Hardware
MANUFACTURING

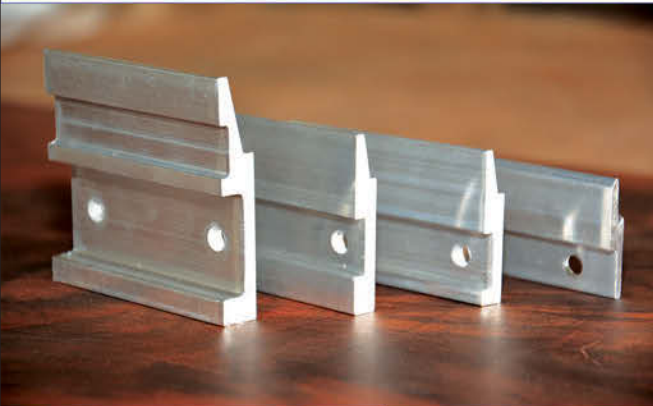
>> Panelclip®

Clipz®

>> Kingclip®

www.panelclip.com

Phone: 503-232-1151



Flexible Materials

INCORPORATED

**-Architectural Panels-
Flexible Veneer Sheets
Wood Veneer Edgebanding**



**Any Species ♦ Any Core ♦ Any Size
FSC ♦ LEED ♦ CARB**

3101 Hamburg Pike ♦ Jeffersonville, IN 47130
800.359.9663 ♦ www.flexwood.com



**WE DON'T
CUT CORNERS,
WE COAT THEM.**



Gemini Coatings is an elite interior and exterior wood coatings manufacturer providing product to professional wood finishers, distributors and consumers.

Gemini's goal each and everyday is to provide an **UNRIVALED CUSTOMER EXPERIENCE.** Let us have a chance to show you what a difference that philosophy makes.



for more about Gemini



www.gemini-coatings.com

DON'T LEAVE QUALITY TO CHANCE.

AWI Quality Certified woodwork means peace of mind from start to finish.

Guaranteed quality, up front, matters in topline architectural projects. It means the mental freedom to focus on other job demands and zero worry about late inspection costs due to quality concerns.

AWI's Quality Certification Program (QCP) is an unrivaled industry standard for interior architectural woodwork. When clients see certified woodworking specs in your bid, they will have higher confidence in the quality of the workmanship, at a very small percentage of the overall contract cost.

Plus, AWI's expert inspectors work as an extension of your firm, serving as your dedicated "quality assurance team" to deliver on best industry practices.



Greater confidence, better product, more business.
Visit awiqcp.org for more information

A photograph of a modern building interior. The walls are covered in light-colored wood panels, arranged in a curved, flowing pattern. A woman in a dark dress is walking in the distance. In the foreground, a staircase with a metal railing is visible. The ceiling is white with recessed lights. A red square is in the top left corner.

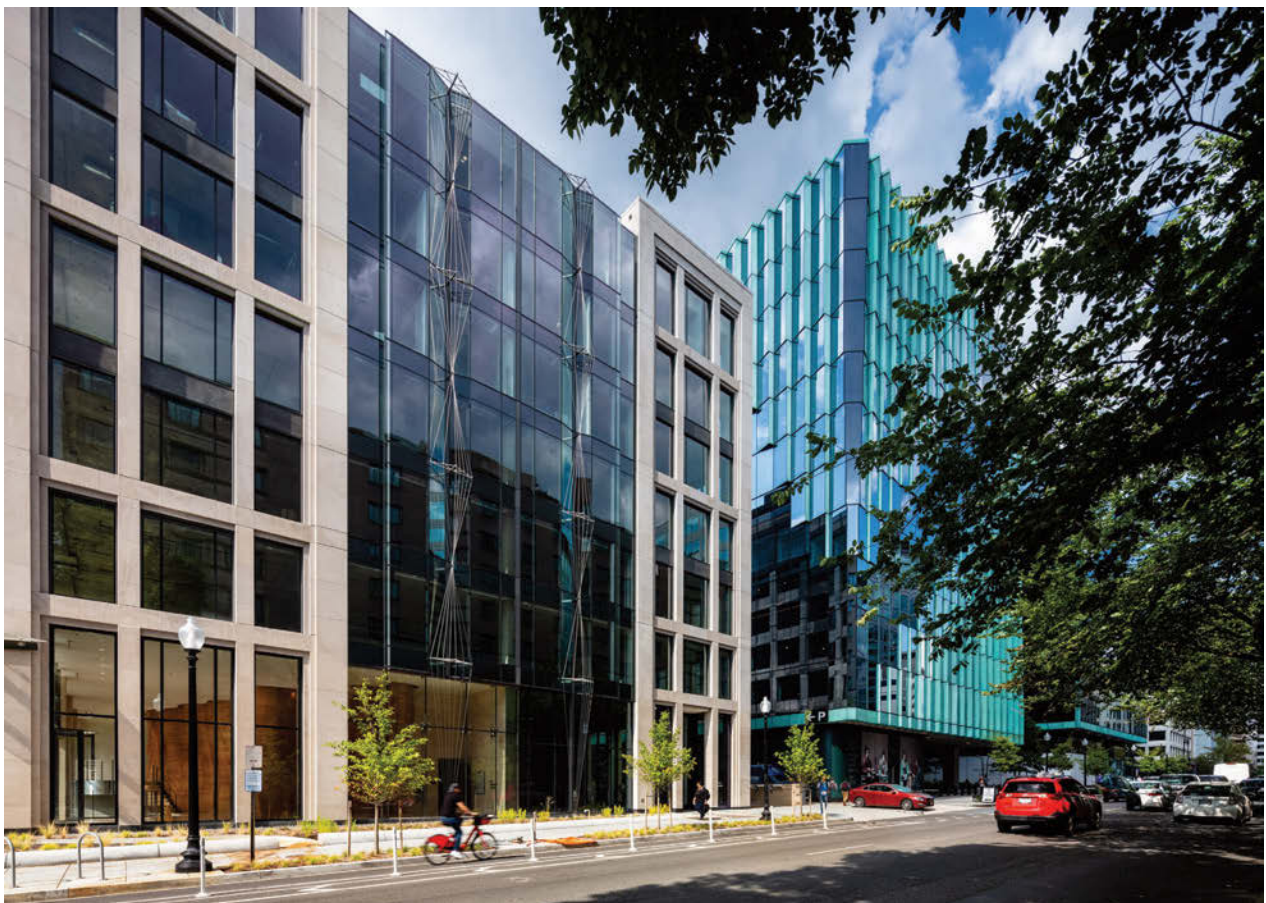
Platinum Building.

Memorable Place Created in Historic D.C. District.

W

ashington D.C.'s 1101 Sixteenth Street rejuvenates and links two adjacent 1970s buildings into one freestanding, trophy-class office building in downtown. Celebrating the area's rich history while amplifying the prominent Sixteenth Street Corridor

and minimizing overall real estate environmental impact were guiding principles for the repositioning of the building situated at the corner of Sixteenth and L Street, only blocks from The White House. 1101 Sixteenth Street offers rare design solutions that create a balance between honoring historic details with contemporary building needs. By implementing biophilic design, natural materials, and new amenity spaces, this trophy office building offers organizations the opportunity to create a memorable place along one of the most prominent streets in the city.



The building was designed by HOK Architects, Washington, D.C., while the architectural woodwork was fabricated by Fetzer Architectural Woodwork, an AWI member firm located in Salt Lake City, Utah. The 102,000 square foot, eight-story project took tenant occupancy in February 2019.

The design for 1101 Sixteenth creates a unique destination along this historic corridor and redefines the space to activate the corner and create a more “walkable” urban environment. An organically shaped pedestrian plaza, stainless steel sculptural ramp guardrail, and urban garden stands out from

typical Sixteenth streetscape experience. By adding distinctive amenity spaces with human-scale features, connections to nature, and a strong sense of place, 1101 Sixteenth both strengthens and reinforces the unique identity of this historic district, explains HOK’s Project Designer Monika Kumor.

at a glance

AWI MANUFACTURING MEMBER:

Fetzer Architectural Woodwork

LOCATION:

Salt Lake City, Utah

ESTABLISHED:

1909

Licensed QCP Manufacturer



**Platinum
LEED**

1101 Sixteenth achieved LEED Platinum status with the carbon emissions of the renovation averaging a 53% reduction from prior performance. Reusing 100% of the two existing structures/ floor plates took less than half the time and cost of demolishing and rebuilding.



Replacing the core HVAC system with a VRF system instead of a traditional cooling tower, gave the building substantial energy savings while increasing amenity areas. Strategies resulted in a 36% indoor water reduction, 84% outdoor water use reduction, 60% open space, and embodied carbon savings from existing building reuse.



BASSWOOD

Architectural woodwork included large sculpted 3D parametric wood wall panel system and reception desk of Basswood, 16/4 thick, straight grain, light in color with minimal pitch, reports Will Forster, senior project manager at Fetzer's. Panels are spray stained with light orange stain and two clear topcoats of lacquer.

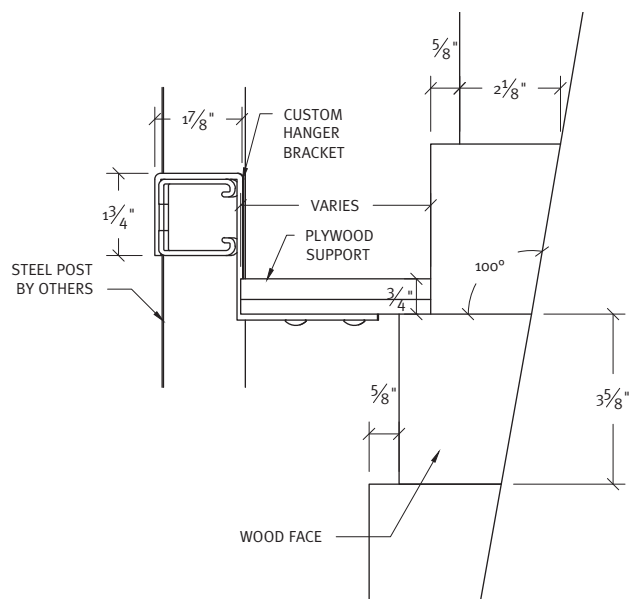




Sculptural Wall

Spanning the full 18-foot floor-to-ceiling height of the main lobby is a three-dimensional sculptural wall that connects to the secondary lobby at the north and reflects the exterior landscape design. The solid Basswood feature wall was fabricated with CNC technology optimized for efficient material use and installation. A monumental stair floating within a new two-story atrium complements the fluid, dynamic sculptural wall while seamlessly connecting the previously separate building lobbies.

The team conceived the front plaza as a public park, says Kumor. A landscaped berm and stainless-steel sculptural wall incorporate accessible ramps and stairs into the design. Then, entering the building lobby, the dynamic three-dimensional, 18-foot-floor-to-ceiling sculptural wall seamlessly bridges the two previously separate building lobbies and structures and helps to visually anchor the building on this prominent corner.



SECTION
@ HANGER BRACKET



“The curvilinear design of the wood wall was inspired by the organic, fluid forms found in canyons,” she continues. “Set behind the strongly articulated blocks of Indiana limestone walls on the building façade, this juxtaposition of soft and hard, fluid and rigid, gives the space an element of surprise and wonder entering the lobby. The constant exchange of ideas and knowledge between owner, design, and construction teams was critical to achieving such a striking design.”

The limestone floor stops short of the wall to create the illusion of continuity—an adjustment made by the team using the templates based on the woodworker’s final model, adds Kumor. “The ceiling light cove was created similarly. From the first sketch to the use of 3D modeling to visualize the complexities of the space—this team shared a willingness to meet the challenges of design and a passion for finding creative solutions.”

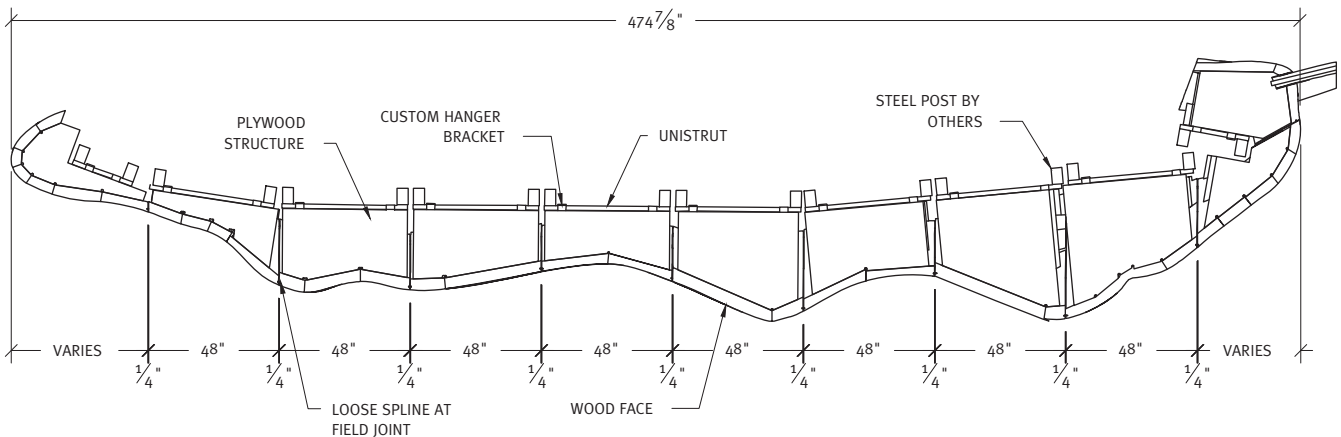
Wall Challenges

The sculpted 3D wood wall panels were the most difficult to produce and the most noteworthy element of the project, says Forster. “Every panel had different topography and it wasn’t always apparent which panels would be adjacent as they were being installed. The paneling labels had to

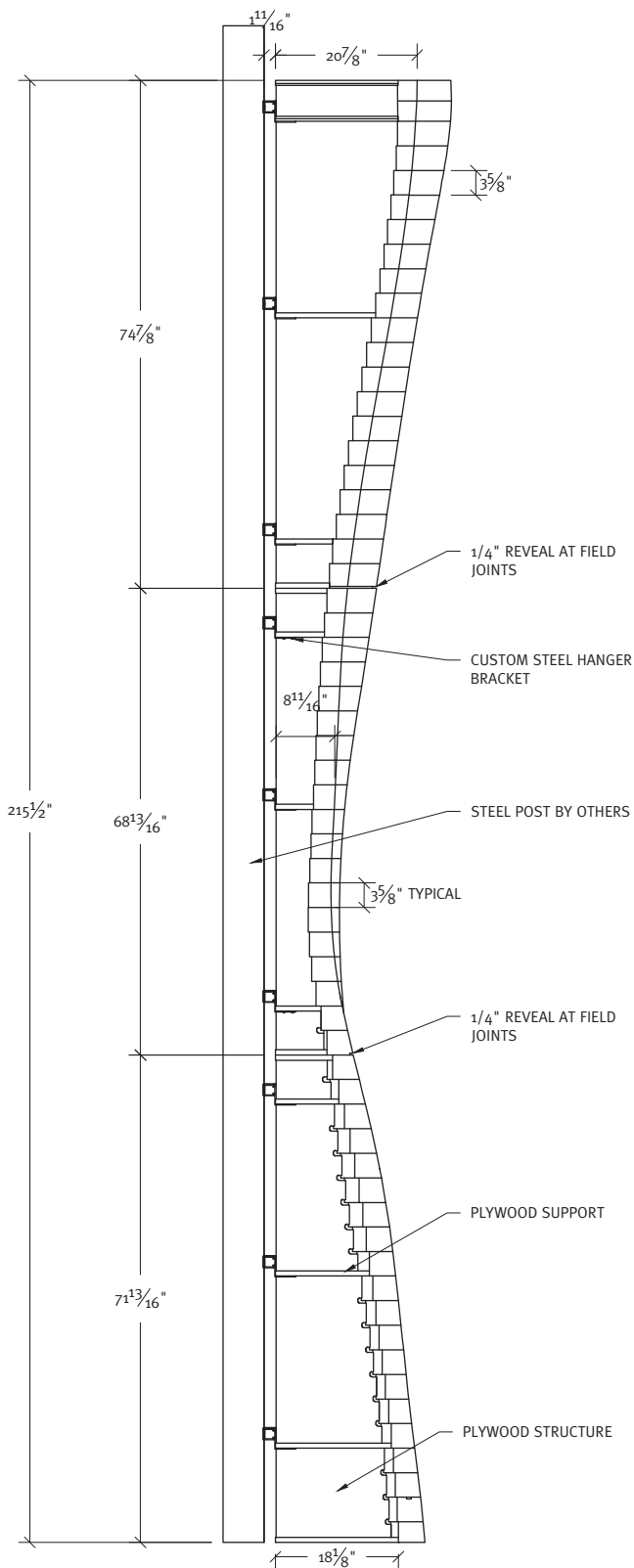
be followed precisely. The fabrication was equally as difficult since we could not layout the entire wall to make sure it all would come together in the field. We built a layout wall in our shop that we could install two ‘stacks’ at a time to ensure one matched the next then had to move one stack over and install the next stack and so on.”

“Fetzer architectural millwork can be found around the world, from retail stores in Europe and China to the LDS Conference Center in our own community. We lead the industry in innovation and craftsmanship.”

– Andrew Graham



PLAN
@ FEATURE WALL



SECTION
@ FEATURE WALL


Fetzer provided the design for the panel hanging method, the panel construction process, 3D modeling to tie it to the existing building, floor templates of the entire wall foot print and steel attachment posts to keep it all coordinated with all trades, Forster reports. “We helped the team simplify the wall design and stair tie in and also helped with the material selection and usage to minimize part count and handling cost.”

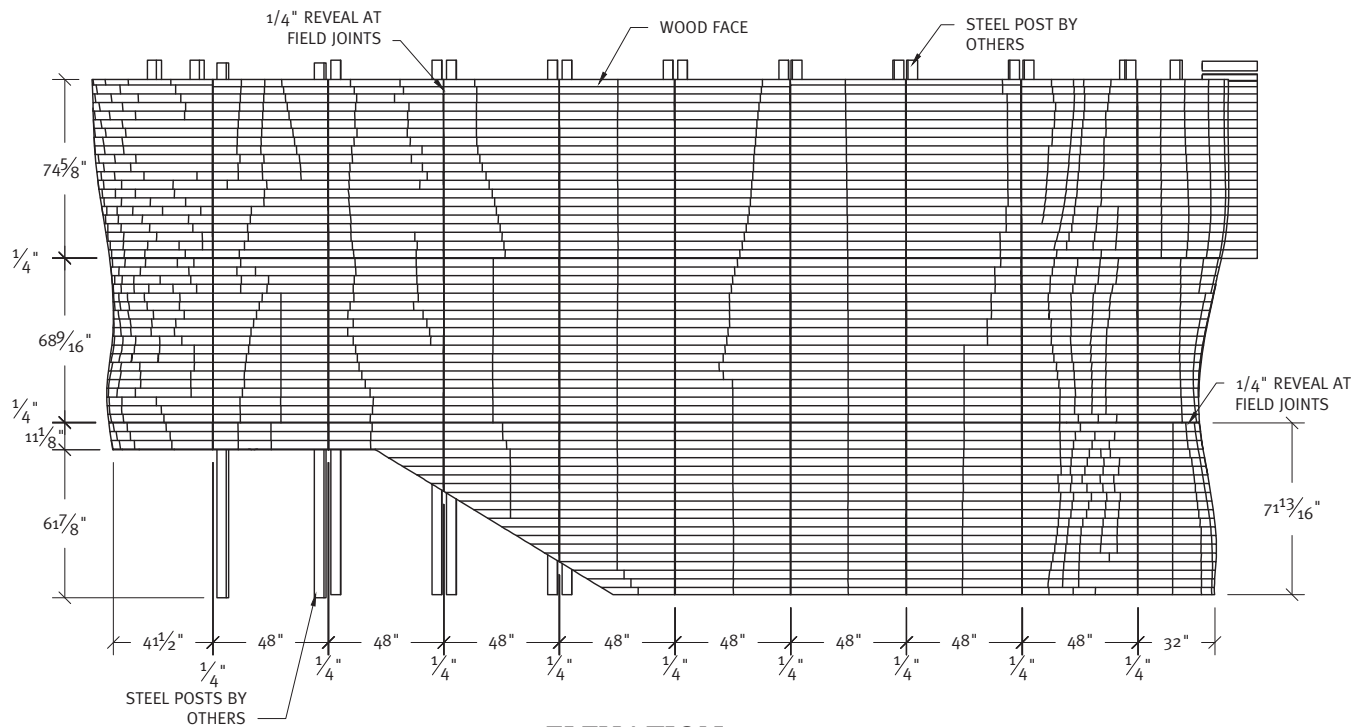
Strong Collaboration

Fetzer joined the team to provide design-assist services and is truly an integral design partner on the wood wall project, adds Kumor. “The wood wall design idea was developed in the virtual 3D environment and it is within this virtual space that HOK and Fetzer closely collaborated with each other. Fetzer understood the design intent and is creative in finding the balance between beauty, cost and the physical limits of fabrication. HOK and Fetzer worked together to optimize the wall geometry to reduce material waste and to reduce the extent of backup support framing. The path of the joints between panels is another interesting collaboration in such an organic curvilinear form. The simpatico relationship extended to the fabrication phase- HOK and the owners visited Fetzer’s workshop to review the life-size panels and collaborated on the best way to locate the joints and the tiling of the wood flitches.”



“We couldn’t have asked for a better architect team. They were responsive to our suggestions and shared in the excitement of all the intricacies of bringing the project together,” says Forster.

Elements of biophilic design are on display in this lobby space. A softly-bermed landscaped plaza acts as a “fourth wall” of the lobby, featuring a stainless-steel sculptural guardrail. Once inside, the play of natural light against the wood wall—how it enters the space, is reflected and dispersed—brings the outside indoors, and creates a rich variety of experiences that put visitors into contact with nature. Portuguese limestone walls and flooring frame the dynamic shape similar to the street wall framing the soft landscaped plaza outside. Together these curvilinear forms shape the public landscape and link the main and secondary building entrances to create one unified building. 



ELEVATION
@ FEATURE WALL

PROJECT:
1101 16th Street
Washington, DC

PROJECT OWNER:
Akridge
Washington, DC

WOODWORKER:
**Fetzer Architectural
Woodwork**
Salt Lake City, UT

ARCHITECT:
HOK
Washington, DC

GENERAL CONTRACTOR:
Clark Construction
Bethesda, MD

PHOTOGRAPHER:
Alan Schindler
Caldwell, NJ

Rapid7, a leading provider of analytics and automation solutions for security and Information Technology professionals, has recently opened the doors of its beautiful global headquarters in Boston. The company occupies floors four through seven, 150,000 square feet, of a brand-new development block in the city's North Station neighborhood flanking Boston's TD Bank Garden. As a physical manifestation of the company's culture, the new workplace is designed for creative disruption.

RAPID7





Office Neighborhoods.

Themed Floors Set the Stage for a Creative Workplace.







at a glance

AWI MANUFACTURING MEMBER:

Millwork One

LOCATION:

**Cranston,
Rhode Island**

ESTABLISHED:

1989

FACILITY:

80,000 square feet

**Licensed
QCP Manufacturer**

Rapid7 was conceived by its three founders in 2000 as they rode the number 7 New York subway; the company's name references not only their "aha" moment but a focus on the information super highway.

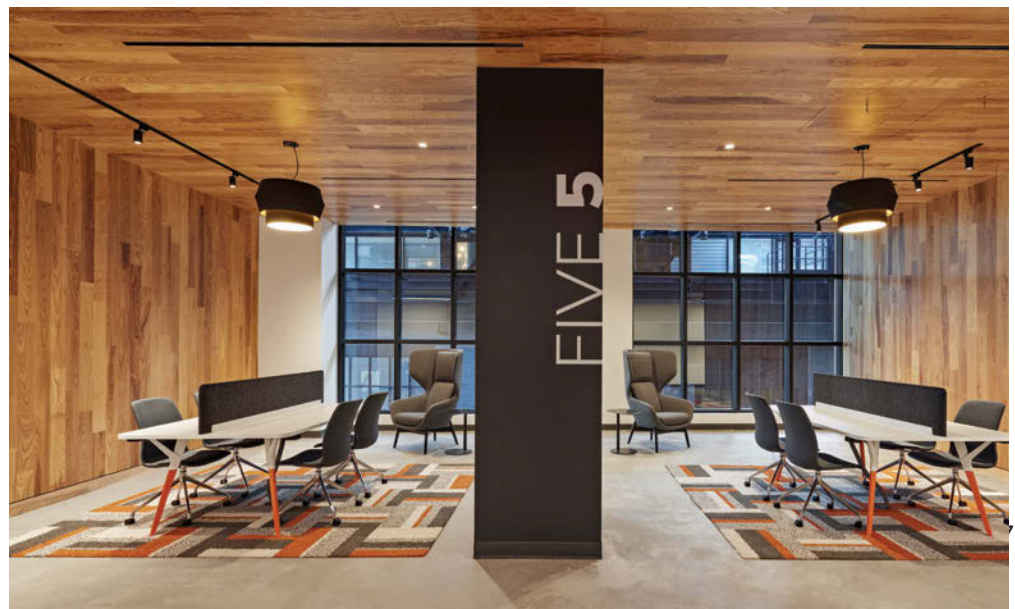
The team at IA Interior Architects, Boston, partnered with Rapid7 on the new headquarters, as it has on multiple global offices along with the company's former headquarters. All locations take cues from a dynamic culture, global guidelines, and site location. Architectural woodwork for the project was fabricated by Millwork One, an AWI member firm located in Cranston, Rhode Island.

Vibrant Design

With an industrial feel, the overall design connects teams, brand, culture, and location. It speaks to the vibrant spirit of Rapid7's employees and mission. Shared themes are apparent throughout, such as the One Moose mascot that represents all achievements and successes that are the result of a team—derived from the singular and plural grammatical use of moose.

Conceived as a vertical ecosystem, each floor houses specific departments aligned with four pillars that make Boston the animated city that it is —neighborhoods, sports, technology, and education. Visual connections heighten the experience; teams are linked together for cross functionality and mobility with robust amenity hubs, central and distributed conferencing, training rooms, and alternative work settings. Individual space is minimized, group space maximized. This mix of space types with an emphasis on collaboration space creates a vibrant collection of unique experiences that align the Rapid7 culture with its workplace.

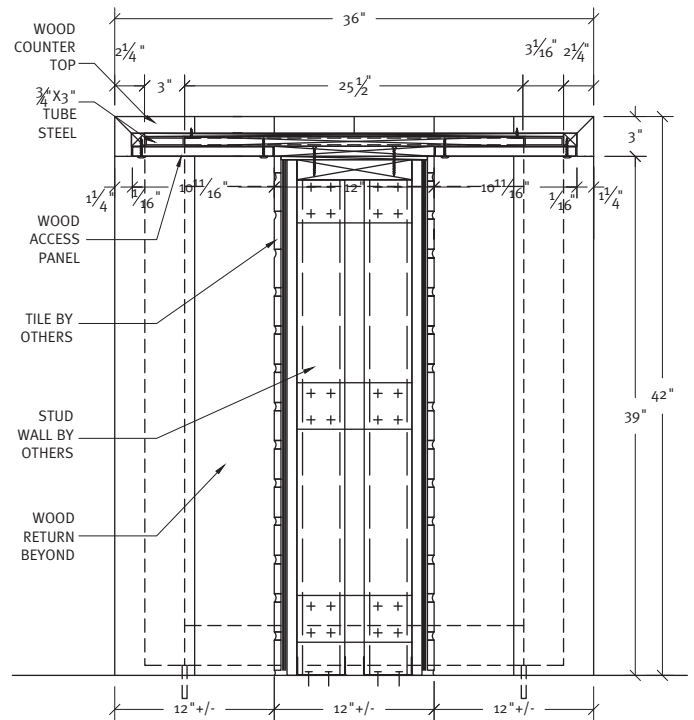
The reception floor is inspired by Faneuil Hall and other Boston neighborhood marketplaces. The central area, with adjacent interview and client-facing meeting spaces, features a hospitality-type lounge and fireplace. Nearby, lattice work and string lights bring in an organic sense of the outdoors. The main café is on this floor, as well as a place for pop-up food offerings and a coffee bar with full-time barista. Other amenities include an amphitheater, a mother's suite, wellness rooms, showers and lockers, a library, training rooms and a user experience lab.



Moving up the stairs, each floor's theme is brought to life through amenities, regional connection, graphics, and signage. The fifth floor emphasizing sports is passionate and gritty; it houses the lively, competitive sales department and offers gaming space. The sixth floor, inspired by technology's fearless innovation, serves IT and marketing, and is home to the genius bar. The seventh floor for engineers is themed for education with focused yet quirky characteristics. With a nod to Boston's renowned research and academic entities, it offers a library by day that becomes a speakeasy at night.

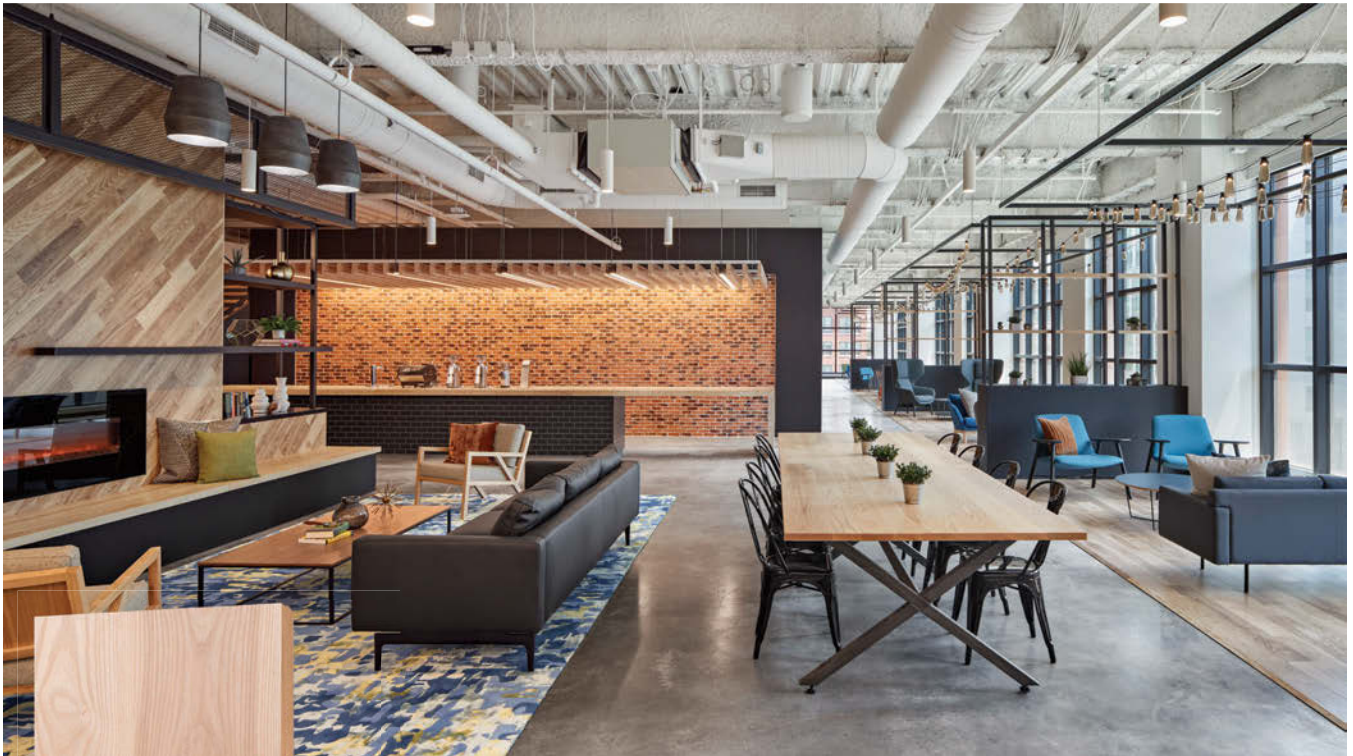
Vibrant Woodwork

According to Alyssa Dempsey, project manager at Millwork One, "within this office fit-out, our scope included a wide variety of items including stair treads, bleacher seating, metal wall panels, backlit reception desk, a café with casework, metal shelves and wall panels, a barista bar with casework, paneling and seating, a library/speakeasy with a bar island, brass top and laminate bookcases, as well as various areas of trim, tongue and groove wall/ceiling paneling, casework and restrooms."



SECTION
@ BARISTA ISLAND



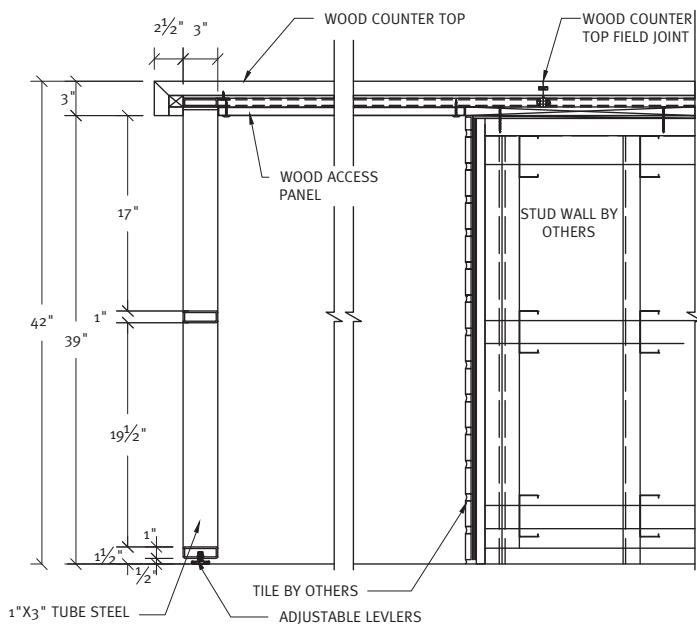


ASH

The wood used throughout the project, including the atrium stairway and tongue and groove paneling, is plain sawn Ash with a clear finish. The random colors and patterns within the Ash allowed the beauty of the wood to shine through.

“The tone and application of the wood was important to Rapid7 as we wanted to create a cohesive finish platform across our global sites,” explains Jamie Kinch, vice president, real estate and workplace experience.

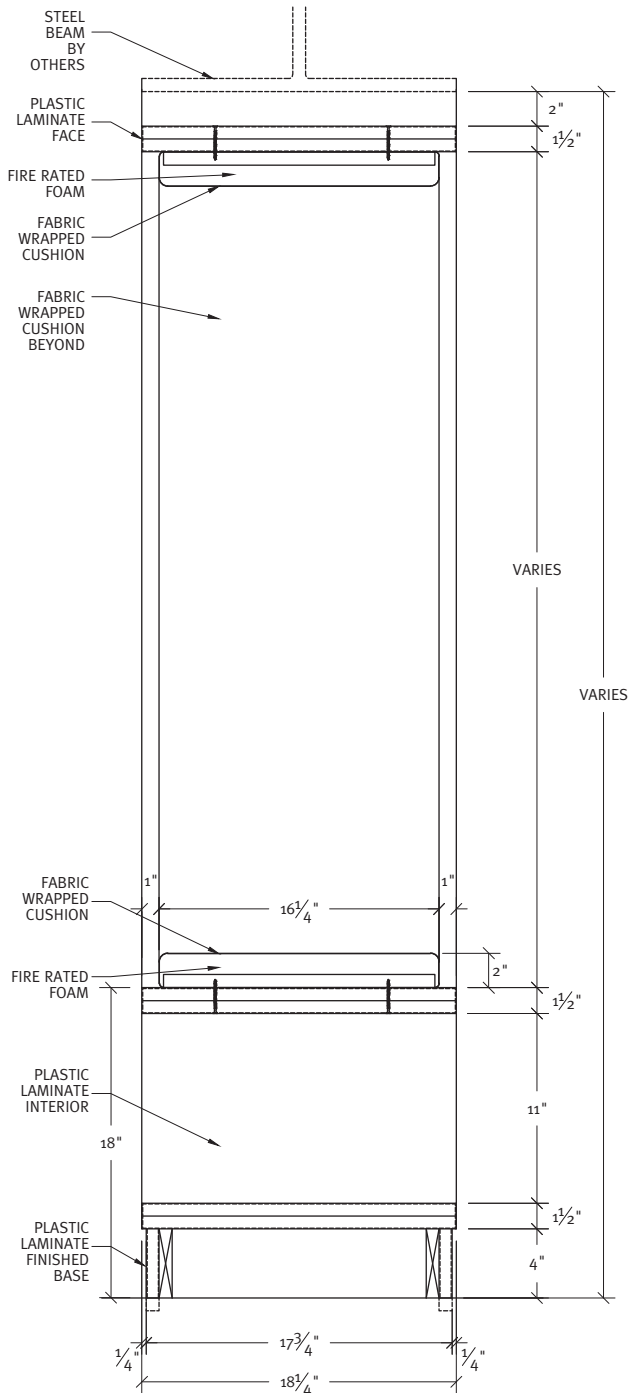
“The woodwork throughout the project provides warmth and creates a residential feel while providing a platform for cultural expression in amenity zones and team personalization within the neighborhoods.”



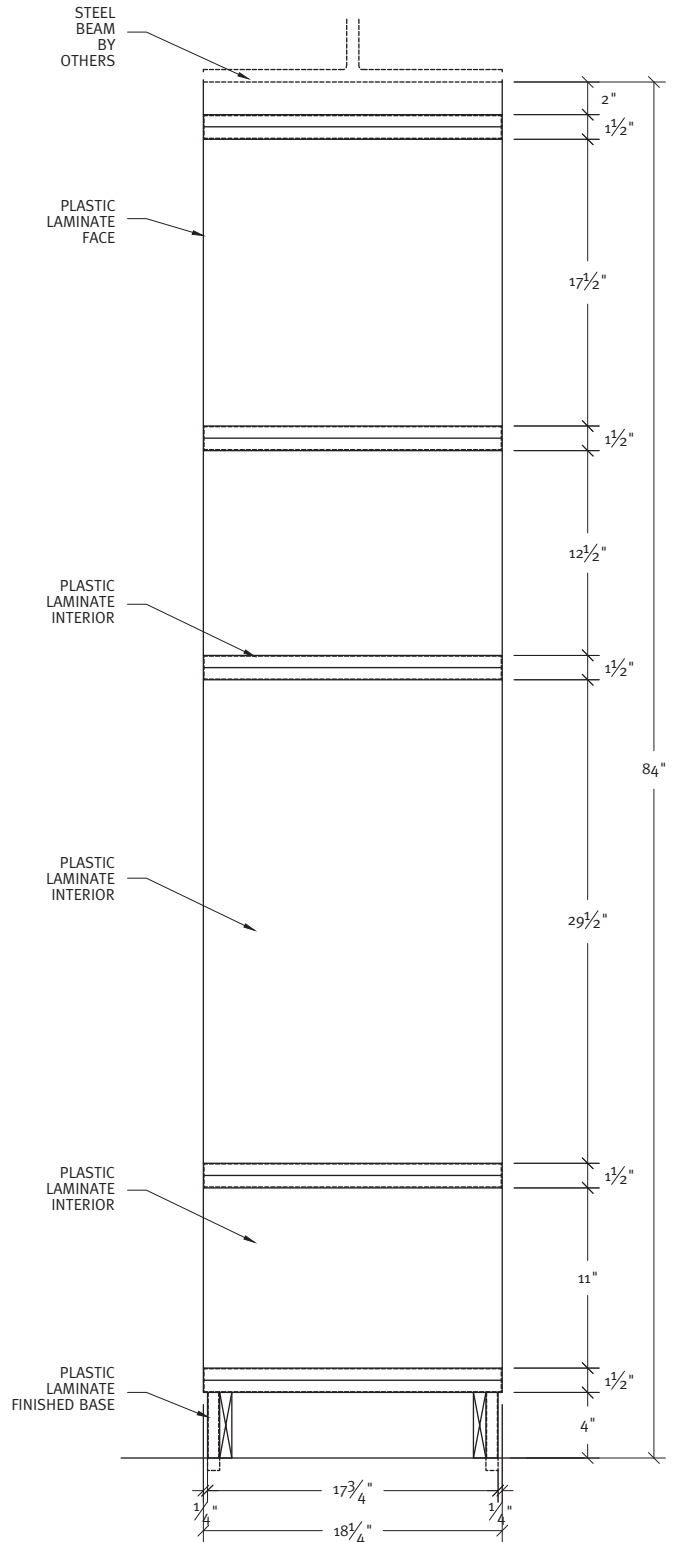
SECTION
@ BARISTA ISLAND COUNTER

“ Millwork One is making great strides in our green initiative pact to become a responsible partner in helping preserve the environment and natural resources in New England and beyond, including becoming solar-powered. ”

– John Fish, President



SECTION @ BENCH



SECTION @ BENCH



The Challenges

Dempsey recalls, “within the main café, barista bar and library/speakeasy we used a mixture of laminate, solid wood, blackened steel quartz and powder coated metal. The variety of materials gave each area its own unique look. To accomplish this, a lot of coordination was required throughout engineering, purchasing and manufacturing to ensure the materials fit together correctly and to achieve the specific look the architect intended for the space.”

“Our engineer was responsible for coordinating the vast amount of materials and equipment within our shop drawings,” she continues. “Drawings were given to the framers and used to layout specific rooms in the field to ensure their framing worked with what we needed. Rather than us fitting to walls, we had entire rooms built to fit our cabinet/panel layouts.”

The extremely tight schedule added to the challenge, she notes, so weekly field visits were made to closely monitor all areas and to release items to fabrication well ahead of schedule.

“We had a great working relationship with IA Architects,” she adds. “They were very responsive to our suggestions on details and were always available to get quick answers when we needed them.” 🌐

PROJECT:
Rapid7 Headquarters
 Boston, MA

PROJECT OWNER:
Rapid7
 Boston, MA

WOODWORKER:
Millwork One
 Cranston, RI

ARCHITECT:
IA Interior Architects
 Boston, MA

GENERAL CONTRACTOR:
**John Moriarty
 & Associates**
 Winchester, MA

PHOTOGRAPHER:
Robert Benson
 Hartford, CT



Driving Design.

Auto Dealership Brings Luxury to Facility with Elegant Wenge Wood.



The Leith Family has a long history of established car dealerships in North Carolina, respected in the community for delivering high quality vehicles and excellence of vehicle service to their customers. The Leith Lincoln Dealership represents their first dealership opened in Raleigh in 1969 and part of the Leith Automotive Group, which is still a family-run business.



WENGE



This striking new project represents a flagship design project, setting precedence for future Lincoln dealerships across the country. Because of this a strong relationship was required among the architect, the owner, the corporate Lincoln design team, the general contractor, and all the trades. The architect for the project was Wilkinson Design PLLC located in Raleigh which had the arduous task of interpreting and conveying the corporate branding for the end product. Architectural woodwork was fabricated and installed by RLS Commercial Interiors, Inc., an AWI member firm from Wendell, North Carolina.

The dealership is a 27,400 square foot facility that had an approximate seven-month duration for construction, reports Erich Wilkinson. “The Lincoln prototype has very clean, simple lines and incorporates large expanses of glass and metal panels on the exterior allowing the entire facility to be a visual showcase. The floor elevation of the showroom is elevated 30” and creates interesting views of the entire facility. The clean, horizontal lines and planes create an uncluttered simplistic facade.”

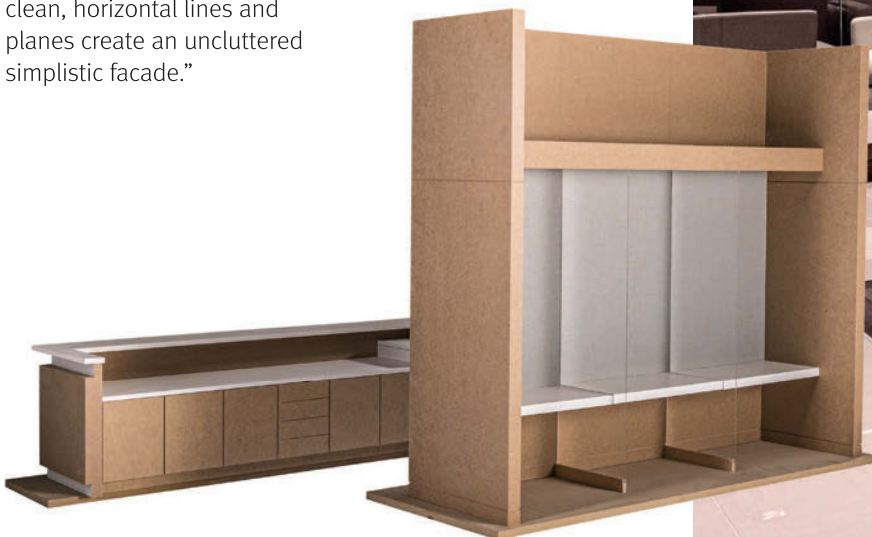
Wonderful Wenge

A luxury car deserves a luxury dealership design. The primary wood used throughout the project is Wenge in the form of veneer paneling, solid Wenge wood base, and black stained rift cut Ash for the Black Label Area. Other items included fabric-wrapped panels, plastic laminate cabinetry, service stations, the mobile reception station, and the solid surface and quartz counters, all provided by RLS Commercial Interiors.

“The wood selection followed the Lincoln prototype, however we feel the dark stained wood contrasts very nicely with the white exterior metal panels,” points out Wilkinson. “We feel the woodwork adds a high level of warmth and richness to the space, especially incorporating wood veneer into all the customer contact areas from sales nooks, to the customer lounge and the service areas.”

RLS’ Robert Stout explains that the woodworking firm “was resolved in determining the best means of interpretation within the shop and visually helping to define details. We approached clarification of wall types and wall profiles through building scale models. Approximately nine models were fabricated for the most intricate applications. Details were presented to the architect and contractor for review and approval and the architect was able to photograph and redline the details for approval.”

“Though we are not set up with a 3D engineering program, we determined it would be in our best interest to build 1/4 scale models of the wall systems and related fixtures so to see their details in relation to each other, thus aiding in our best plan-of-attack for fabrication and installation,” Stout continues.



“In the end, we believe the models helped the architect, the contractor, and our shop immensely in time savings and promoting greater understanding of the sophisticated details as presented by the owner. These models played a vital role toward visualizing difficult details while easily paying for themselves through greater efficiency within our company,” Stout says.

Notable Team

The detailing at the black label metal framed wall was very challenging, recalls Wilkinson, as was how the wood panels integrate with ceiling joints and glass joints. “All of this was handled very well by the architectural woodworker.”

at a glance

AWI MANUFACTURING MEMBER:

RLS Commercial Interiors, Inc.

LOCATION:

Wendell, North Carolina

ESTABLISHED:

1984

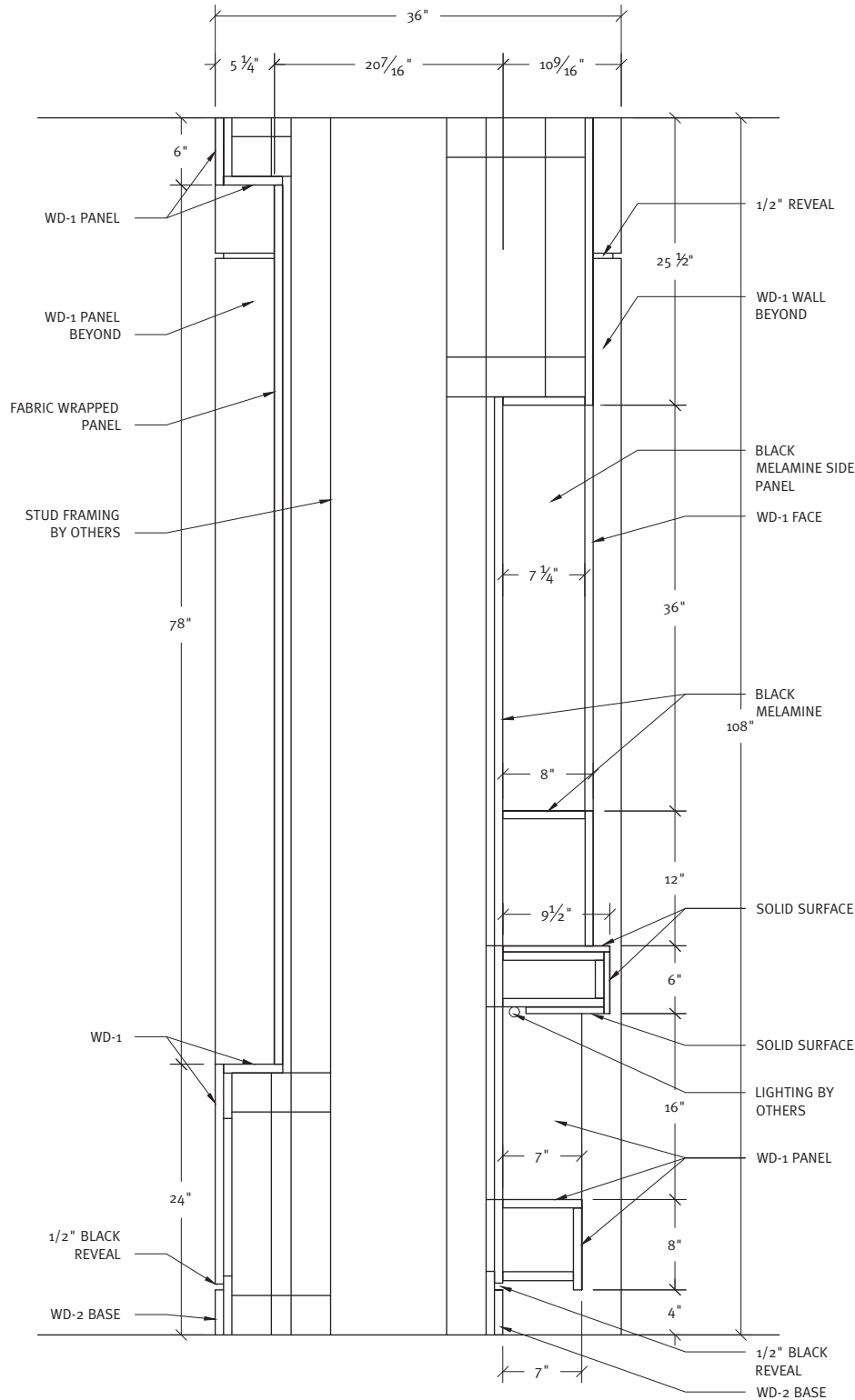
FACILITY:

10,000 square feet

“Working to coordinate lighting and electrical access for other trades, coordination and layout of the pavilion and craftsman profile walls for the framing contractor was a challenge,” says Stout. “The architect was exceptional in his understanding and navigating through the overall project while demonstrating flexibility to accomplish the final design and remaining very accessible with all trades.”







SECTION
@PAVILLION WALL

Wilkinson says, "RLS is a joy to work with and they are very talented. Their goal is to produce the highest-level product. Their vision to build the scale models was a huge success in the process of applying the Lincoln prototypical design to our facility. The high level of workmanship and ability to collaborate are very refreshing in today's workplace. They listened to desires, reviewed the drawings and collaborated at every aspect of the project from the initial design documents through shop drawings and installing the product in the field, continually asking how to address the challenging aspects of this project."

“ We strive to be a company of respect and integrity, setting ourselves as a leader of innovation and resource within the industry.”

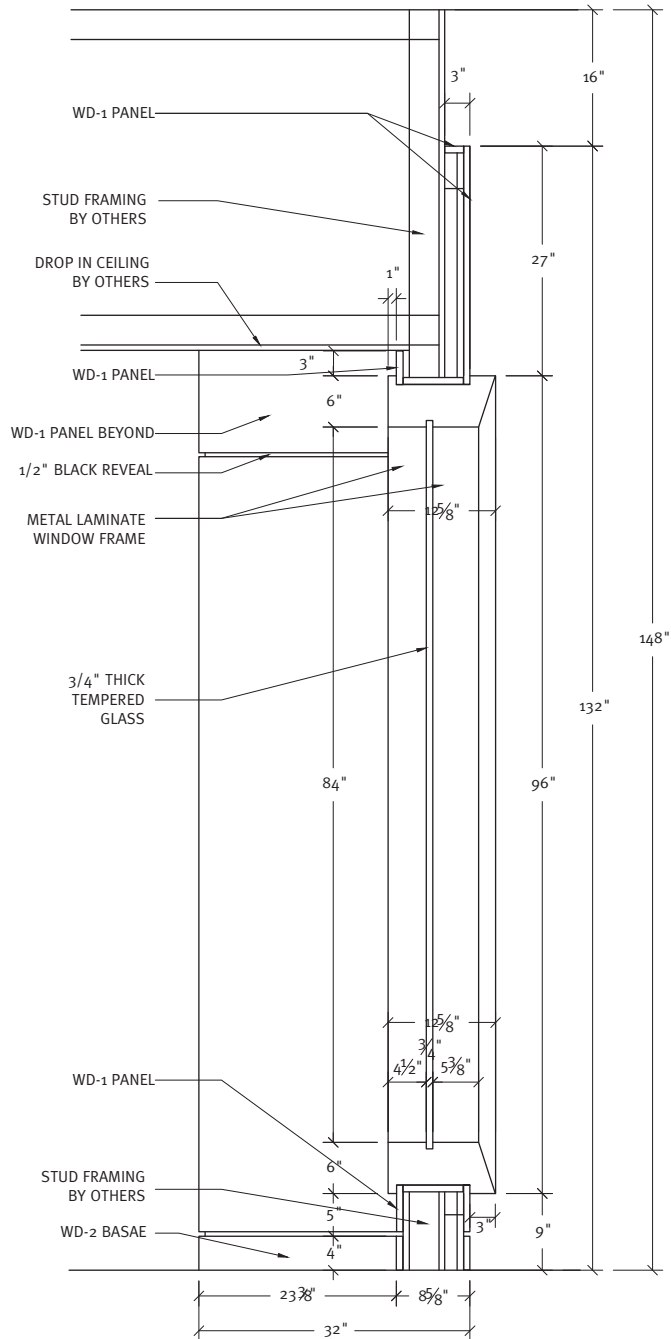
– Robert Stout

In an overall review of the project, the team agrees there was great importance within the architect's role toward interpreting and conveying the corporate branding for the end product. Wilkinson Design had the challenging

task of communicating a highly demanding design to the general contractor, woodworker and various trades for construction while maintaining ongoing communications with the owner and the corporate

Lincoln design team. RLS produced luxurious and functional woodwork elements while precisely interpreting design intent. Diamond Contracting brought a dynamic team of trades together while

keeping the project focused and on schedule. Together, the team was successful in delivering an excellent product that the dealership owner is proud to call its new home. 



 SECTION
@ WINDOW WALL SECTION



PROJECT:
**Leith Lincoln Car
Dealership**
Raleigh, NC

PROJECT OWNER:
Leith Family
Raleigh, NC

WOODWORKER:
**RLS Commercial
Interiors, Inc.**
Wendell, NC

ARCHITECT:
**Wilkinson
Design, PLLC**
Raleigh, NC

GENERAL CONTRACTOR:
Diamond Contracting, Inc.
Garner, NC

PHOTOGRAPHER:
**Jeannie Blinson
Thomson**
Wendell, NC





Comfortable Dining.

Secondary School Renovates
and Expands Dining Hall.



founded in 1792 and located in western Maine in the foothills of the White Mountains, Fryeburg Academy is an independent, co-educational secondary boarding and day school serving grades 9-12, and offering post-graduate year. The Academy's campus is a combination of historic and newer buildings, all of which have a classic New England feel. According to Joseph Manning, assistant head of school, "it was important to our building committee that the new dining hall incorporate architecture elements fitting to the school's history and our natural surroundings."



Fryeburg Academy embarked on a new campus project for the renovation of their 1950s dining hall into a new student union as well as a new 10,100 square foot dining hall addition to replace the current dining hall. The approximately \$6 million dollar project was to accommodate additional dining seating, a new kitchen, and a multi-platform restaurant style dining concept. The goal of the project was to develop a series of spaces which will increase student engagement, satisfaction, and provide a place to build and foster community. The project took roughly three years from initial concept to construction completion.

Design for the new dining hall was commissioned to Connor Architecture LLC, Lexington, Massachusetts. Architectural woodwork for the project was fabricated and installed by Windham Millwork Inc., an AWI member firm located in Windham, Maine.

Modern Dining

The existing student dining space was very dated and small. The dining platform was served by a single counter for hot food and a floating salad bar with other adjacent surfaces for offerings. The smallness of the space felt claustrophobic with hundreds of students trying to eat lunch in a meal period, and their auditory volume could be overwhelming. The new space accommodates 342 seats and separates seating areas away from the high traffic area of the serving line so that the lines don't become overwhelmed with congestion.

Separating the salad bar into a larger island station with space around it and moving condiments and beverages to the end of the serving line takes the pressure off the main serving line. The new space has a very high, angled acoustical roof deck that helps to make the general feeling of the

room more open and less compressed, and accounts for the noise that students can produce during lunch or other mealtimes. "We felt that keeping the room lighter toward the ceiling volume played a part in drawing your eyes upward, highlighting the vastness," says Justin Cucci of Connor Architecture.



at a glance

AWI MANUFACTURING MEMBER:

Windham Millwork Inc.

LOCATION:

Windham, Maine

ESTABLISHED:

1957

FACILITY:

65,000 square feet

**Licensed QCP
Manufacturer**

The main kitchen is now twice as large as its previous incarnation. The finishes are modern and clean with FRP walls, quarry tile flooring and stainless steel. The work area is disguised from the front of house by wood serving counters and vertical elements that block aspects of the utilitarian kitchen beyond.

Pine Paneling

According to Tim Nunn of Windham Millwork, the firm manufactured and installed Pine wall paneling, the servery line, check out kiosk, the metal I beam structures, decorative Red Oak beam structures at columns, condiment stations and recycle units for the dining hall.



PINE





Wall paneling is Pine, trims are Red Oak, and cabinets and casework are laminate with metal accents.

“We selected Oak primarily for the graining that we could achieve,” explains Cucci. “We wanted an almost cerused look on some elements and an inverse scraped grain look on others.”



RED OAK

The salad bar surround, the wood finish details there and the armatures holding the light fixtures are very noteworthy, he adds. “The wood detailing on the salad bar is unique and accomplished particularly well. The scale and height of the armatures makes for a dynamic feature within the space.”

“One of the biggest challenges was keeping the old kitchen online throughout the construction process,” he continues. “This particular school is both a public school and a private boarding school, so all meals for all students at all times of day come from the same kitchen.”



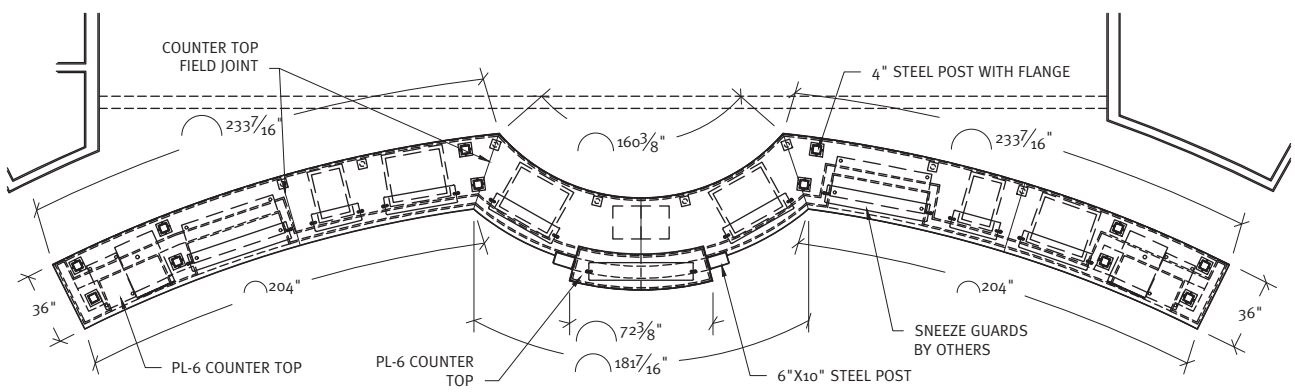
It caused us to think about phasing the project so that the renovation of the old spaces would be done after this dining hall came online. Also, we had to find a way to accommodate public school requirements for how those students are required to check out alongside the board plan students. It was a small space planning challenge, but one that was vital to the function of the program.”

Tying in the two server lines and kiosk with the metal I beams was a challenge, notes Nunn. “We had to coordinate with the metal fabricator, contractor and our design team to make sure the placement of the servery line and metal I beams were in the correct locations. The I beams had to tie into the concrete floor pads. We worked well to coordinate long lead items and finished on time.”



“ At the heart of our business is our commitment to provide our clients with 100% satisfaction on all of our projects. ”

– Chad Pulkkinen, Owner



○ PLAN
@ SERVING LINE

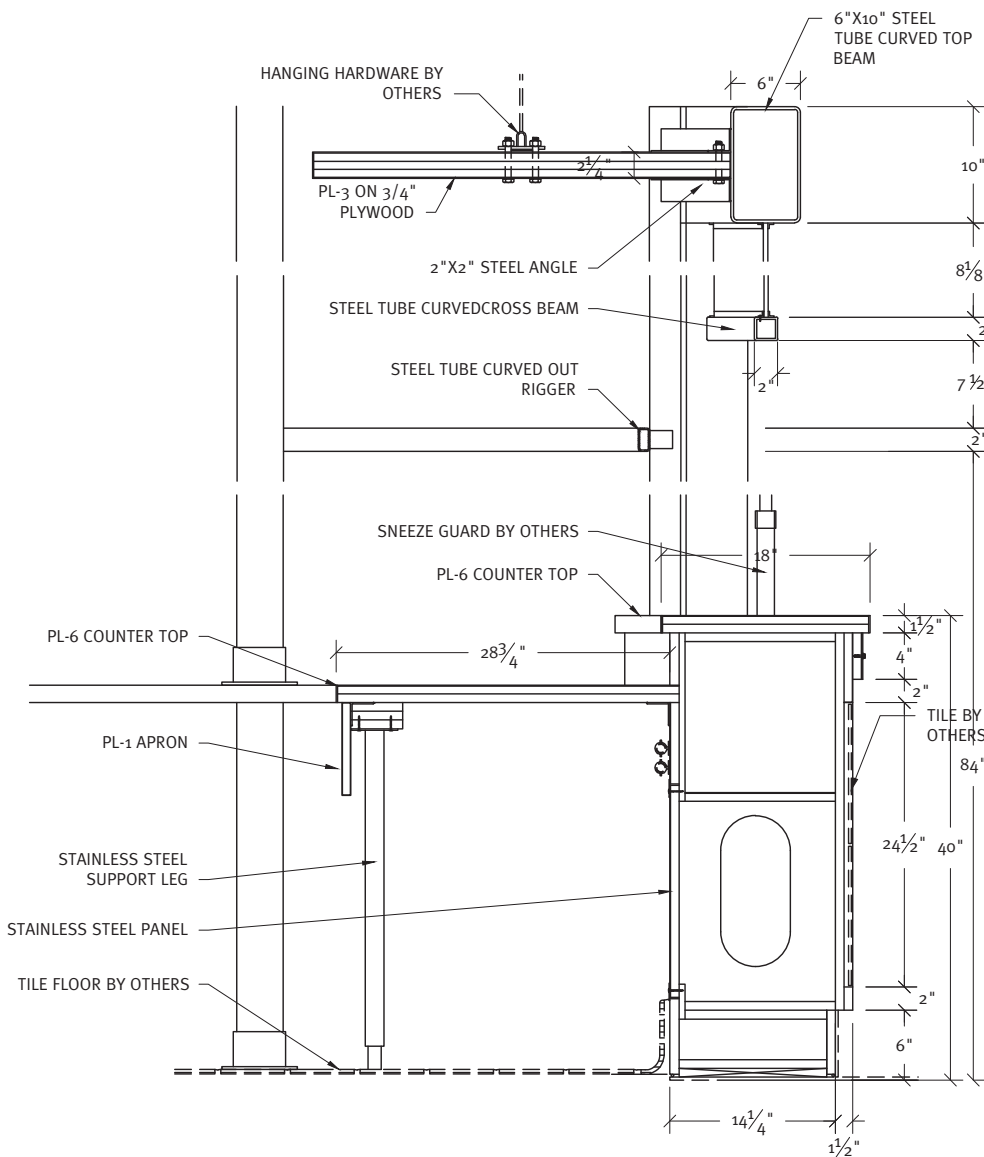
Precise Teamwork

“This project went off without a hitch,” says Nunn. “We had a very strong working relationship with the architects and look forward to doing more work with them. We are currently doing phase II of this project.”

The team did a fantastic job executing the details we were looking for throughout

the project and paid special attention to the wood finishes that we wanted to use, summarizes Cucci. “Windham Millwork’s detailed and comprehensive shop drawings process as well as wood finish samples really helped with achieving the look we were trying to achieve.”

The new dining hall is a beautiful open concept space for our community that is both inviting and comfortable, says Manning. “The wood detail is a focal point for the large, open space. The use of bold wood elements throughout creates a sense of being outdoors, which is especially nice during the winter months that can sometimes feel long here in New England.”



SECTION
@ SERVING LINE

PROJECT:
Dining Hall Renovation
Fryeburg, ME

PROJECT OWNER:
Fryeburg Academy
Fryeburg, ME

WOODWORKER:
**Windham
Millwork Inc.**
Windham, ME

ARCHITECT:
**Connor
Architecture LLC**
Lexington, MA

GENERAL CONTRACTOR:
T. Buck Construction
Turner, ME

PHOTOGRAPHER:
Robbie Basquez
Windham, ME



FIVE GREAT REASONS TO SUBSCRIBE TO DESIGN SOLUTIONS.

- 1 Helpful technical articles and advice.
- 2 The only design magazine that provides drawings.
- 3 The place to learn about designing with wood.
- 4 Fabulous projects!
- 5 New Products Pages.



There are plenty more great reasons to subscribe to this exciting quarterly design publication, including the low rate of **only \$25** per year.

However, for many design

professionals, the convenience and ease of useful and practical technical techniques are at the top of the list. So if you are interested getting great design ideas through drawings and projects, and if you

do not have a number beginning with the letter P above your address printed on the front cover, use the form below to begin your paid subscription.

Or visit **awinet.org** to subscribe.

Yes! Start my Subscription to **Design Solutions** today!

Name _____ Company _____

Address _____ City _____ State _____ Zip _____

Phone _____ e-mail _____

Subscription Rate: \$25 per year (four issues) Check/Money Order Enclosed (check payable to AWI) or charge to: VISA MasterCard American Express

Name on Card _____ Signature _____

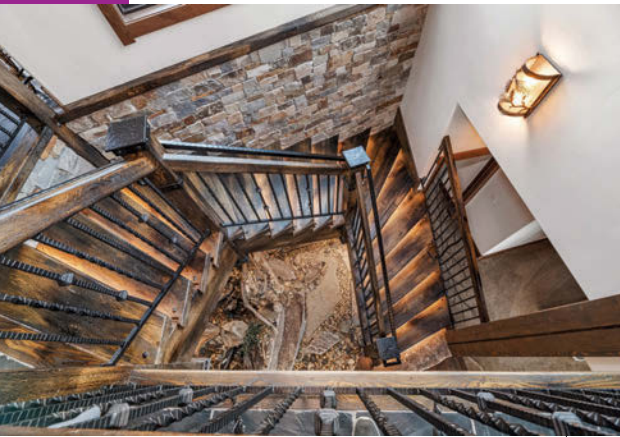
Card Number _____ Expiration Date _____

Mail or FAX this form to: Architectural Woodwork Institute, 46179 Westlake Drive, Suite 120, Potomac Falls, VA 20165 OR Phone (571) 323-3636 Fax (571) 323-3630

THE ADVANTAGES OF CONCURRENT STAIRWAY DESIGN.

In a concurrent design system, the goal is to infuse knowledge of downstream activities into the design process so designs can be generated in less time and executed at lower costs.





It is a rare occurrence when the stairway, regardless of its location, does not command attention. Whether by its aesthetic virtues, as a practical invitation to another level, a means of escape, or a poorly maintained hazard to traverse, it is an element that dictates the involvement of a wide range of knowledge critical to its design and execution.

Few such details in the “finish” built environment must meet such stringent structural requirements while regulating the health and safety of the occupants and facilitating their access and use of the building. For these reasons, concurrent stairway design should be considered essential in the overall design process to mitigate integration issues, code violations, project delays, and cost overruns.

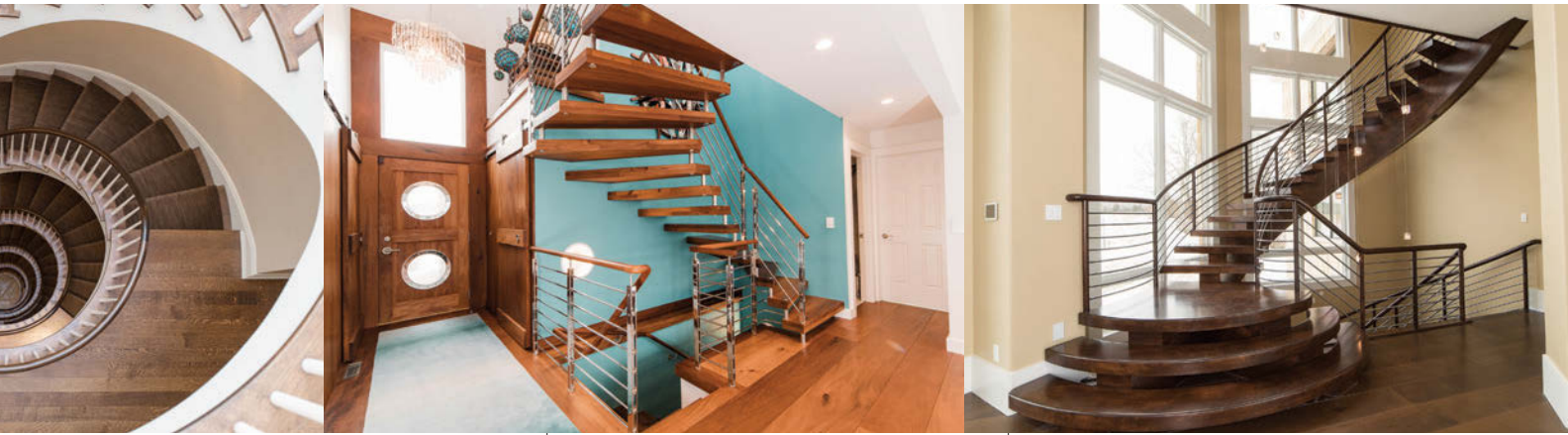
Let’s look at the example of a straight flight of stairs. Begin with interpreting the architectural plan, which is often simply shown as a series of single parallel lines. To some, these lines represent the leading edge of each tread, while floor system builders interpret the top line as the edge of the well hole. Arguably, the line at the top of the stair could represent the nosing’s projection past the top riser, or a face of the top riser, or the rough well. As a result, interpretations may easily vary by two to three inches or more which leads to some well hole framing being two inches shorter than is required for the finished product.



Additionally, although rarer, the well hole width may also be compromised when wall material thickness changes or is not considered. It is apparent how, even in the “simplest” stairway, collaboration between the designer, the builder, and the stairbuilder from the onset could result in enhancement of the design objectives rather than compromise the build.

CODE REQUIREMENTS

The potential of compromising the stairway design can compound when code requirements are misunderstood. When the same straight flight of stairs is drawn with a 10-inch tread depth (unit run) and the inspector cites the code requirement of a minimum 11-inch tread depth, the variance of an inch per tread has now grown to 15-20 inches in the flight.



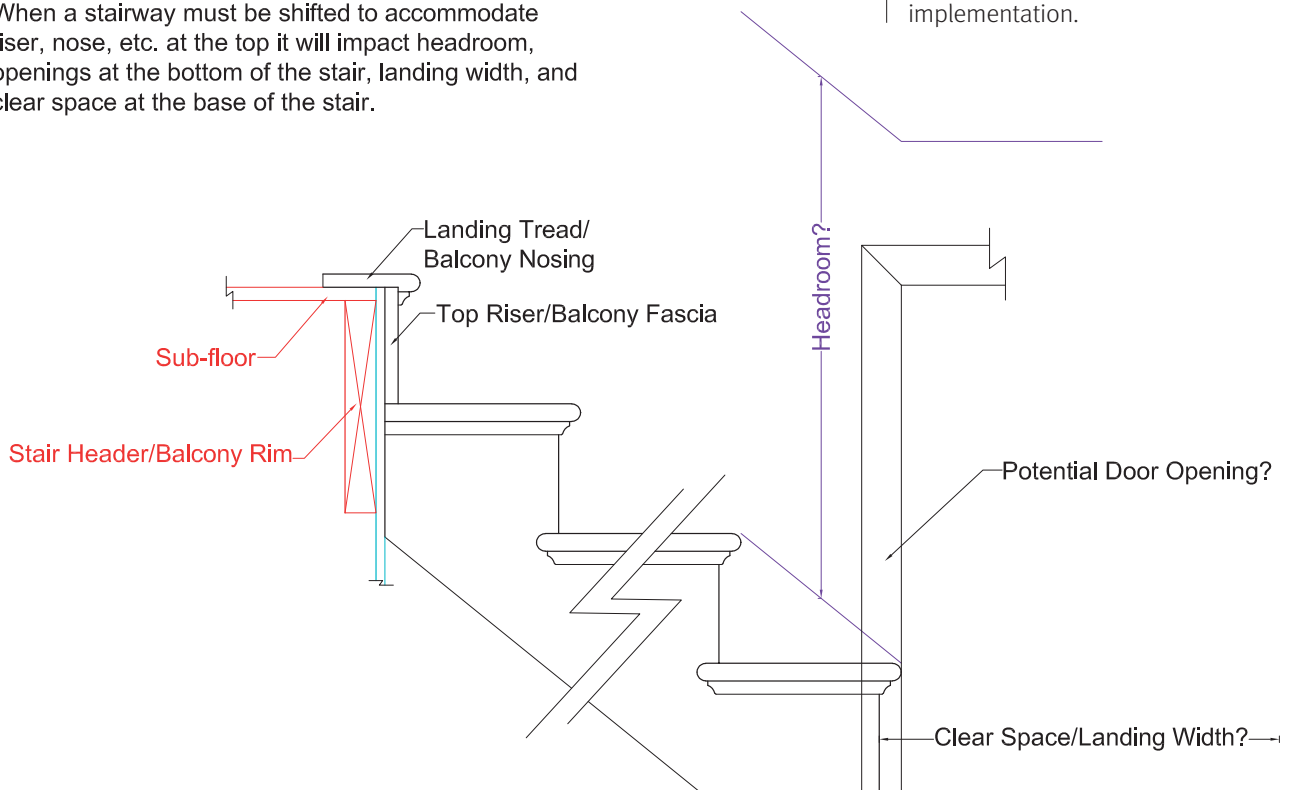
The original design may now no longer fit in the intended opening. These discrepancies could force significant design changes. As stair complexity increases, changes may require substitution of winders, adjustment of landing heights and widths, extending the length of flights, or changes in balustrade and handrail systems.

When changes of this nature cannot resolve the issue, significant structural changes such as enlarging the well hole or moving walls to expand the space become necessary. Any changes to accommodate these variations must be accounted for in terms of time and money while realizing the stressful redesign and alteration process achieves a compromised design at best. Allowing for space for the stairway should be the number one consideration to ensure the achievement of the design objectives.


Important Considerations

What else needs consideration? As the staircase becomes more complicated, there is much more to consider beyond the overall dimensions and code compliance. The alignment of flights with adjoining landings and floors is critical to the design and location of the balustrades and continuity of the handrail system. Consider the same straight flight with a rake balustrade that exits onto an upper floor with a level balustrade. Even in this simplified example, ensuring the two systems intersect properly requires precise planning and implementation.

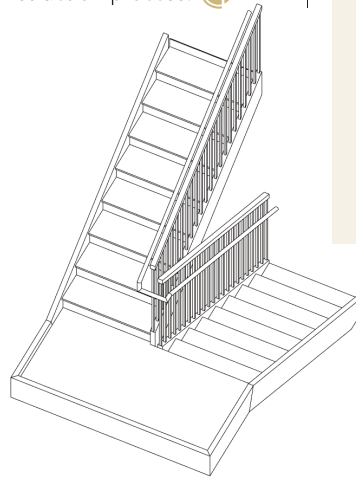
When a stairway must be shifted to accommodate riser, nose, etc. at the top it will impact headroom, openings at the bottom of the stair, landing width, and clear space at the base of the stair.



Now imagine two 'U' shaped stairways in the same well connecting three floors. Each stairway has three flights and two-quarter space (90 degrees) landings. The design requires a continuous handrail on top of the guard system with smooth transitions at each intersection. The complexity of determining the well dimensions is now best resolved through concurrence of each of the relevant fields of expertise during the preliminary stages of the design process to ensure an accurate and efficient plan.

The concurrent design process provides for early communication and access to the corporate expertise of all involved. Early communication facilitates a comprehensive process, which supports efficient builds that are code compliant and achieve aesthetic objectives. From the onset, each team member has a shared perspective of the design, how it is dependent upon their contribution, and a complete understanding of what is expected. Conflicts and challenges will be few, identified early, and, if necessary, easily accommodated into the final design and construction process. 

NOTE: To help support and facilitate concurrent stairway design, the Architectural Woodwork Institute (AWI) and the Stairbuilders and Manufacturers Association (SMA) have spent several years working together in the development of the AWI/SMA Standard 0643 for Wood Stair, Handrail, and Guard Systems. It is part of the AWI's suite of standards to be submitted for ANSI approval later this year. You can review a draft of the standard and find an abundance of great information about stairways, including the SMA's illustrated Visual Interpretation of the IRC Stair Building Codes at the SMA website, www.stairways.org.



SOLUTIONS

SOLID WOOD TECHNOLOGY.

We deliver dependable solutions for manufacturing solid wood in a wide range of sizes and configurations. Our innovative solutions are designed to meet your requirements and guarantee a high quality finish under any working conditions.



VISIT US ONLINE

stand out.

Designing in wood produces beautiful, elegant and often exotic results. Results you want to share with the rest of the world. Put your designs in the limelight...by publishing them in **DESIGN SOLUTIONS**.

This award-winning publication features custom architectural woodwork in a variety of applications. Distributed to your peers throughout North America, **DESIGN SOLUTIONS** provides ideas and techniques to readers who appreciate the grandeur of architectural woodwork

To submit a project for publication:

- 1. Complete our convenient submission forms.**
- 2. Submit forms with color photography.**

We'll do the rest. However, the woodwork must be produced by a member firm of the Architectural Woodwork Institute. Projects of any size will be considered.

Submissions can be made at any time. Forms are available online at awinet.org or by request through AWI headquarters:

Telephone: 571-323-3636

Fax: 571-323-3630

 Architectural Woodwork Institute
design solutions



Product Showcase



M. BOHLKE VENEER: Remote Veneer Log Inspection

M. Bohlke Veneer Corp. is operating a “**Live Log Inspection**” in which you can remotely view a veneer inspection via **a live stream on your computer from work or home**. The inspection can be recorded ahead of time and video files sent to you via the cloud for viewing at your leisure. In addition, you can also dial-in to a secure conference call with the M. Bohlke Corp. team. Real time conversations paired with photographs of wood veneer are good – real time conversations accompanied with live visuals are even better.

Livestreaming and watching a veneer log inspection video at your convenience provides the same control as if you were here: you are able to pause the inspection for closer views at grain structure, figure and color consistency, and you can request to see logs

a second time the moment you need to, or rewind and/or pause when viewing a recorded video. Both options, livestreaming and recorded video, are scheduled to make you feel as though you are in the room with us, even when you can't be, as we search for the perfect veneer for your project.

M. Bohlke Veneer carries over 150 species of indigenous and imported veneers. Crotches, burls and hard-to-find species are available in many cuts and figure types. Choose from flat, quarter, rift and rotary cuts that are graded to your specifications. Opt for custom **thicknesses ranging from 0.4 - 3.0 mm**. Attention to detail, consistent quality, vast selection and exceptional service makes us a cut above the rest.

To schedule your Live Log Inspection, visit mbveneer.com to learn more or call **(513)-874-4400** | sales@mbveneer.com.

2020 INSIGHT: ERP Software Webinar

2020 is a well-established name in the kitchen and bath, and office furniture industries. More recently, 2020 entered the architectural millwork industry with 2020 Insight, an enterprise resource planning (ERP) solution. This business management solution allows organizations to manage all facets of their operation within one convenient system.

Working with architectural millwork and other project-based customers worldwide, 2020 has added new features to their already robust software solution that target the needs of the architectural millwork industry. Project management, estimating, time and cost tracking, service management and invoicing are some of the new features in 2020 Insight.



Request the webinar, 2020 Insight: ERP for Project-based Businesses and learn how you can use 2020 Insight to manage your project-based business from the bidding process through to installation. Save time, reduce cost and improve customer service with a fully integrated manufacturing ERP solution.

Contact 2020 at 2020insightsales@2020spaces.com or visit the website to learn more.

2020





Horizon Forest Products

CHEMCRAFT: Adds Horizon Forest Products to Network

AkzoNobel, manufacturer of the **Chemcraft®** brand of industrial wood coatings, announces that **Horizon Forest Products** joined its growing distribution network. AkzoNobel's Chemcraft Distribution Segment Manager, Ron Cooper, says, "Horizon Forest Products positions the Chemcraft brand in key North Carolina cities, with a loyal customer base that can now take advantage of our high-quality line of wood coatings. We are thrilled to have them in the Chemcraft family with product made at our High Point, North Carolina, site."

"Chemcraft is an industry leading brand that provides great innovation and product quality with market-leading customer support. We've been pleased with their commitment to sustainability in the wood industry, and we are excited to share their portfolio with our cabinet makers and wood product customers," says David Guistwite, cabinet branch leader for Horizon Forest Products.

Horizon Forest Products has been in business for more than 75 years with corporate office locations in Raleigh, North Carolina, and Richmond, Virginia, and 11 branch offices serving customers from Maryland to South Carolina along the East Coast of the United States, and in Texas, where a team of sales and technical professionals provides a full line of **lumber, sheet goods, cabinets, flooring, mouldings, abrasives, wood stains and coatings** for customers. Horizon Forest Products began its partnership with AkzoNobel and became a Chemcraft distributor in May 2020.

For more information, visit horizonforest.com and chemcraft.com.

COOPER ENTERPRISES: New Safety Products

Cooper Enterprises, Inc., a contract manufacturer of commercial wood and plastic components, is **now offering safety products: cashier shields, face shields and golf cart partitions in response to the Covid-19 pandemic**. These items can be purchased at the company's new online store at cooperenterprises.com/shop. Cashier shields, also known as countertop shields, are made of clear acrylic. This product is being installed in retailers and workplaces across the country to help avoid the spread of Covid-19. Cooper Enterprises offers four standard sizes.

Common applications include at check-out lanes, on reception desks and in meeting rooms. The face shields are made of PETG plastic and are comprised of the shield, head strap, foam and clip. The company's polycarbonate golf cart partitions separate the driver and passenger to help aid in social distancing. The partitions are attached to the cart with bungees. "We are happy to offer solutions to those who are preparing to reopen their businesses," says Rachel Brumenschenkel, marketing specialist. "All organizations are going



through major changes and must adhere to new safety standards to help protect their employees and customers. It was important for us to make acquiring these products as accessible as possible, which is why we launched our online store."

The company plans to offer more safety products to workplaces. More information can be found at cooperenterprises.com/products/safety-products.

**HÄFELE:
Loox5 Lighting System**

Häfele America is paving the way in furniture and cabinetry lighting with the unveiling of **Loox5—an LED lighting system** which is easier to install and infinitely smarter than the system it replaces. Providing greater flexibility in design and style, Loox5 features a significant increase in performance as well as an updated range of new, in-demand linear lighting options for designers, woodworkers and architects. Loox5, with its high-quality Samsung LEDs, shines with an extraordinary quality of light. The system is easily assembled and integrated in furniture and cabinet production all while being smart, easy-to-use and offering simple connectivity.

Loox5 offers **new, narrower LED strip lights** with increased lighting quality—a **guaranteed lifetime of 50,000 hours**; new profiles for recess and surface mounting applications available in a variety of designs and finishes; new modular and flexible distributor system to simplify planning and installation; and new drivers designed for 24/7 continuous operation. “With integrated lighting increasingly becoming a customer requirement in today’s furniture, cabinetry and other home environments, Häfele has raised the bar for our designer-and installer-friendly Loox LED lighting system,” says Jake VanWyk, lighting category manager for Häfele America Co.



Also included in the Loox5 debut is the all-new **Häfele Connect Mesh network solution** which takes smart options for lighting to a new level. Working in concert with the Häfele Connect Mesh app, users are able to operate and customize Häfele products throughout the home. The app is free and available for download on iOS and Android devices. Looking to the future, Häfele Connect Hub will work in concert with Amazon Alexa, Google Home and other similar devices so users will be able to customize and operate Häfele products throughout the home with voice activation. Through the connectivity between the Häfele BLEMesh Box and the wireless Häfele Connect Hub, users will be able to customize and control their sound system, Häfele Loox LED lighting, TV lifts and select cabinet flap fittings throughout the home all with voice activation. Dive into Loox5 and the Häfele Connect Mesh network solution on our YouTube channel.

**TRADESOFT, INC. :
Cloud Seat Option**

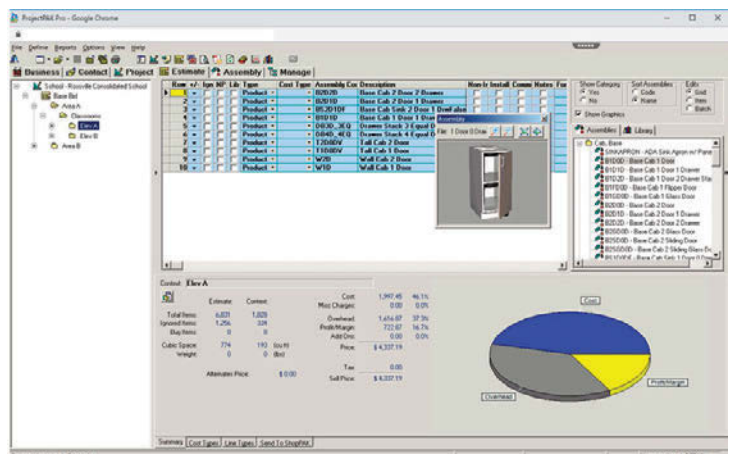
TradeSoft announces its new cloud seat option that works in concert with its on premise solution. In development for three years, TradeSoft customers can now access **ProjectPAK, ShopPAK, and Scoreboard** from a browser on any smart device. Customers will continue hosting their database locally on premise, but for employees that work from home or occasionally travel to job sites, the cloud option offers tremendous flexibility, ease of use, and often times, better performance than VPN or other remote desktop products.

Switching between cloud and desktop versions is easy and completely seamless.

Even though cloud users access ProjectPAK, ShopPAK, and Scoreboard via an internet browser, the applications look and act just like their Windows desktop cousins. This means users don’t have to learn two different interfaces.

TradeSoft offers cloud seats on a monthly or annual subscription basis. Cloud seats **can be shared** between team members just like desktop seats. This can translate into substantial savings. If remote users don’t need full time access, each part time user does not have to buy a seat. Cloud seat administration is easy and handled via our web site. Increase or decrease seat count as your needs change.

For more information visit tradesoftinc.com or call **800-289-6326**.



AWI Manufacturing Members



Firms in BOLD with asterisk are LICENSED participants in the AWI Quality Certification Program as of the print date. For an up-to-date status go to awiqcp.org.

Alabama

- Cahalan Industries, Moody
Leo Cahalan, 205-640-2779
- * **CBW Cabinetry, Newton**
Chris Woodham, 334-692-3600
- * **Deas Millwork, Semmes**
Zach Deas, 251-478-1060
Fabrication Specialists, Inc, Mobile
David Smith, 251-660-1080
House of Cabinetry Inc, Dothan
Bob Theune, 334-793-9502
- * **Jimco Inc., Montgomery**
Jason Hamm, 334-264-5032
- * **Leonard Peterson & Company, Inc., Auburn**
Randy Jensen, 334-821-6832
- * **Luttrell Architectural Woodworks, Birmingham**
Robert Luttrell, 205-324-3421
- * **Phipps Cabinets Inc., Dothan**
Matt Phipps, 334-983-4512
- * **Remmert & Company, Tuscaloosa**
Luke Remmert, 205-345-4800
- * **SCSWORX, Madison**
Olivia Pirtle, 256-461-8815
- * **Southern Woodsmith, Inc., Pelham**
Allen Ponder, 205-663-5299
The Cabinet Shop, LLC, Mobile
James Marlin, 251-607-0571

Alaska

Casework Inc dba Pac West, Anchorage
Diana Pavlo, 907-562-3168

Arizona

- Architectural Millwork Design Inc., Phoenix
Rod Laughlin, 623-492-9130
- * **Arizona Custom Millwork & Contracting, Phoenix**
Tamara Westfall, 602-254-6431
Arizona Western Fixture & Display, Phoenix
Pamela Narcy, 602-272-2170
- * **Associated Construction Enterprises, Phoenix**
Travis Brewer, 602-272-7055
- * **Associated Woodworks, LLC, Phoenix**
Gail Rochwalik, 602-397-4551
BASC, LLC, Phoenix
Ron Beveridge, 480-759-2959
- * **Bizarre Wood Products, Glendale**
Pat Brown, 602-377-4830

- * **Blue Sierra, Inc., Tucson**
Mynde Oetting, 520-624-3202
- * **Crown Custom Millwork, LLC, Phoenix**
Nancy Michalski, 623-879-8500
Desert Millwork, Inc., Phoenix
Randy Heller, 602-258-7517
- * **European Techniques, Prescott**
Marie Corkery, 928-776-9957
- * **Exhibits Southwest LLC, Tempe**
Dane Beem, 480-763-3333
Furniture Concepts Ltd, Phoenix
Mike Peters, 602-256-7023
Indwell Woods, Inc., Phoenix
Mark Snider, 602-268-9500
Millwork by Design, Inc., Tucson
Mark Riggì, 520-622-8656
- * **Paul Wesley Construction, ACC, Mesa**
Paul Waterford, 480-985-1901
S & R Cabinetry & Builders LLC, Tucson
Francisco Zapien, 520-807-7604
Styles Brothers Custom Millwork, Inc., Glendale
Shawn Styles, 623-931-3990
Sun Valley Millwork, Inc., Phoenix
Rick Rago, 602-352-6636
The Great Organization, Inc., Scottsdale
Nicole Gordon, 480-998-1522
- * **Western Millwork, Inc., Phoenix**
Bill Roach, 602-233-1921

Arkansas

- * **Crawson Corporation, Fort Smith**
Gary Kindy, 918-427-8400
- * **Custom Millwork, Div. of CDI Contractors, Maumelle**
Donnie Green, 501-851-4421
Estes Wood Designs Inc, Bentonville
Brandon Estes, 479-273-2974
Nabholz Custom Millwork, Conway
Jonathan Davis, 501-505-5800

California

- Barbosa Cabinets, Inc., Tracy
Jonathan Adams, 209-836-2501
Bromack Manufacturing Inc., Los Angeles
Kurt Webster, 323-227-5000
- * **Caseworx Inc., Redlands**
Bruce Humphrey, 909-799-8550
Complete Millwork Services Inc., Santa Clara
David Becher, 800-382-7486

- East Bay Fixture Company, Oakland
Tony Tahn, 510-652-4421
Elite Wood Design, Rancho Cordova
Dave Gwiazdon, 916-853-2002
Fineline Architectural Millwork, Costa Mesa
Marc Butman, 714-540-5468
J3 Products Group, Santee
Jay Lewis, 619-988-5291
Millwork Brothers Inc, Cerritos
Jesus Panagakos, 562-802-0210
Millworks by Design, Simi Valley
Dan Parish, 818-597-1326
Mission Bell Mfg. Company Inc., Morgan Hill
Glenn Ripley, 408-778-2036
Montbleau & Associates, Inc., San Diego
David George, 619-263-5550
- * **Plastic Tops, Inc., La Habra**
Ray Cerulli, 714-738-8128
Quality Cabinet & Fixture Co., San Diego
Jackie Fessenbecker, 619-266-1011
Raposo Woodworks, Sebastopol
Anthony Raposo, 707-780-2912
- * **The Wood & Iron Factory, Inc, San Diego**
Norberto Gutierrez, 619-710-1660
Wall Panel Systems, Inc., Redlands
Chuck Mc Coy, 909-307-8888

Colorado

- Ark Woodworks, Inc., Brighton
Nasser Haji-Sarvestani, 303-655-0051
BKFine, Brighton
Bruce King, 720-382-2410
- * **Cab-Con Enterprises, Inc., Colorado Springs**
Mike Perdue, 719-382-5649
Colorado Arch. Millwork Supply, Colorado Springs
Darryl Bryant, 719-477-9939
Colorado Custom Millwork, Glenwood Springs
Jeremy Johnson, 970-945-6857
- * **Concepts in Millwork, Inc., Colorado Springs**
Scott Robinson, 719-570-7353
Dakota Ridge Const, Englewood
Leith Brayer, 303-915-8509
- * **Delta Cabinet Company, Inc., Delta**
Gary Kensler, 970-874-8793
E & J Cabinets, Arvada
John Peterson, 303-425-7527
International Custom Wood Work, Commerce City
Rolando Lopez, 720-382-4235

J & M Custom Cabinet Shop, Inc., Denver
Julio Estrada, 303-853-9767

* **JK Concepts, Inc., Denver**
Margery Johnson, 303-571-0672

* **L.A. Woodworks, Inc., Windsor**
Leo Arellano, 970-482-4200

Modern Fixture Company, Inc., Denver
Joseph Seegmiller, 303-289-2921

* **Osburn Cabinets & Design, Grand Junction**
Chad Brandon, 970-242-6899

Quality Custom Woodwork, Inc, Pueblo
Cheri Bucciarelli, 719-546-0324

* **Rails Plus Inc., Englewood**
Ishmael Moreno, 303-777-7914

Shavano Woodworking Inc., Montrose
Rafe Jones, 970-252-8315

Trustile Doors LLC, Denver
Chuck Tamblyn, 303-286-3931

* **Unique Woodworking, Denver**
Bret Kaup, 303-573-3966

* **USA Millwork, Denver**
Ted Rosiere, 303-438-1612

Villarreal Rasmussen Cabinetmakers, Carbondale
David Rasmussen, 802-236-2677

Watson Mills and Design LLC, Lafayette
Todd Palmer, 303-666-6069

Woodcraft Unlimited, Inc., Denver
Tom Goulet, 303-778-9103

Connecticut

* **A. Secondino & Son, Inc., Branford**
Alfred Secondino, 203-481-3496

* **AGA Millwork LLC, Southington**
Krzysztof Kolodziejczyk, 860-426-9901

Amerifix, West Haven
Richard Moore, 203-931-7290

Atlantic Millwork, North Haven
Mark Bolling, 203-248-1969

* **Barco/American Wood Products, North Haven**
William Geremia, 203-248-4433

* **Bergan Architectural Woodworking, Middletown**
Richard Bergan, 860-346-0869

* **Connecticut Casework Specialists, LLC, Shelton**
Louis M Cutaneo Jr, 203-606-4459

Curtiss Woodworking, INC, Prospect
Dale Curtiss, 203-527-9305

* **CWC Architectural Woodworking, Inc., Bristol**
Todd Schultz, 860-585-6396

* **Desco Professional Builders Inc., Ellington**
Robert Anderson, 860-870-7070

Fairfield County Millwork, Bethany
John Ianiri, 203-393-9751

* **Legere Group, Ltd., Avon**
Craig Froh, 860-674-0392

* **Madigan Millworks, Unionville**
Matthew Madigan, 860-673-7601

Modern Woodcrafts, LLC, Plainville
Lisa Pelletier- Fekete, 860-677-7371

Petra Construction Corporation, North Haven
Guido Petra, 203-865-6043

* **Pursuit Construction, Essex**
Jacob Ertel, 860-617-8219

White Dog Woodworking, LLC, Torrington
Thomas Officer, 860-482-3776

* **Zavarella Woodworking, Newington**
Debbie Zavarella, 860-666-6969

Delaware

Delaware Millwork LTD., Middletown
Fran Hoffman, 302-376-8324

* **GTI Millwork, Wilmington**
Ryan Moore, 302-658-4158

Mark of Excellence, Hockessin
Mark Iverson, 302-633-3450

The Eagle Group, Inc., Clayton
Christopher Field, 302-653-3000

District of Columbia

* **Columbia Woodworking Inc., Washington**
Brad Long, 202-526-2387

Florida

1050 Commercial Arch. Woodworking, Boca Raton
Mark Noell, 561-391-3103

* **Adams Group, North Port**
Ethan Adams, 941-639-7188

Advanced Millwork, Inc., Orlando
Tom McDonald, 407-294-1927

* **Advanced Woodworking Industries, Oakland Park**
Thomas Hoover, 954-634-3100

* **Akira Wood, Inc., Gainesville**
Hoch Shitama, 352-375-0691

Andy's Cabinets and Millwork Inc., Tallahassee
Andy Mohnney, 850-562-3536

Artisanbilt Construction, Inc, Valparaiso
Ken Rodgers, 850-226-2001

* **Atlantic Custom Woodcraft Corp., Odessa**
Trevor Haughey, 727-645-6905

* **AWS Carpenter Contractors, Inc., Clearwater**
Ken Schroeder, 813-855-1006

Baron Manufacturing, Pompano Beach
Hasu Gavan, 954-590-3800

Blumer & Stanton, Inc., West Palm Beach
Marcille Irwin, 561-585-2525

Cabinet Design and Construction, Pensacola
Matthew Hinson, 850-393-9724

CFF - Central Florida Furbishing, Orlando
Richard Vincik, 407-281-1135

Coastal Millworks, Inc., Riviera Beach
John Maffett, 561-881-7755

* **Commercial Millworks Inc., Orlando**
Gayle King, 407-648-2787

Commercial Wood Designs, Inc., Sanford
J. Fernandez, 407-302-9063

Corry Cabinet Company, Inc., Havana
Henry Corry, 850-539-6455

Craftsmen Specialist of NW Florida, Pensacola
Taylor Fagan, 850-944-1311

* **Creative Concepts Of Orlando Inc., Longwood**
Wayne Bishop, 407-260-1435

Curry Cabinetry, Inc., Tampa
Bryan Curry, 813-321-3650

D.R. Nickelson & Co., Lake City
Dale Nickelson, 386-755-6565

Dan Dennis Builder's Inc., Fort Lauderdale
Dan Dennis, 954-658-5285

DBR Inc., Orlando
Richard McCree, Jr., 407-898-4821

* **Dew - Well Industries, Inc., Dade City**
Sandra Grimes, 352-567-3153

* **Distinct Designs Custom & Commercial Casework, Largo**
Bill Kratimenos, 727-530-0119

Distinctive Kitchens & Bath DBA Dist. Millwork, Boca Raton
Butch Coleman, 561-864-0142

Doerr Custom Cabinets & Trim, Saint Augustine
Russ Doerr, 904-342-2791

EMI Industries LLC, Tampa
Peter Schaller, 813-626-3166

* **FCC Cabinets, Jacksonville**
Shaun Keves, 904-378-8536

Federal Millwork Corporation, Fort Lauderdale
Richard Ungerbuehler, 954-522-0653

* **Fisher Cabinet Company, LLC., Pensacola**
Scott Fisher, 850-944-4171

Five Star Millwork, Pompano Beach
William Santana, 954-956-7665

Florida Architectural Millwork, Leesburg
Peter Karapiperis, 352-435-7257

Harwil Fixtures, Inc., Hastings
Louis Cici, 904-692-1051

* **Hollywood Woodwork, Hollywood**
Sebastien DesMarais, 954-920-5009

J&J Millwork, Sanford
Kevin Cook, 407-324-2331

* **J.V. Installations Corp., Orlando**
Stewart Vargas-Sosa, 407-849-0262

J2 Cabinetry and Trim, LLC., Ocala
Jeff Clack, 352-629-1700

Kabinets By Kinsey, Inc., Tampa
Chuck Kinsey, 813-222-0460

Keane Architectural Woodwork, Coconut Creek
Ellen Kosmajac, 954-574-9915



Firms in BOLD with asterisk are LICENSED participants in the AWI Quality Certification Program as of the print date. For an up-to-date status go to awiqcp.org.

List Industries Inc., Deerfield Beach
Boyd Wedin, 352-376-4732

- * **Lyndan, Inc., Tampa**
Dana Guy, 813-977-6683
- Max Urban, Pompano Beach**
Steve Miller, 954-972-0100
- Melbourne Architectural Millwork Co., Melbourne**
Thomas Soyk, 321-308-3297
- * **Mesh Fabrication, Saint Petersburg**
Gary Grooms, 727-823-3760
- * **Mill-Rite Woodworking Co., Inc, Pinellas Park**
Jennifer Clark, 727-527-7808
- * **Millwork 360, LLC, Tampa**
Mike Williams, 813-854-3100
- MJR Woodworks LLC, Apopka**
Jason Ryan, 407-403-5430
- Montgomery Cabinetry Company, Fort Myers**
Paul Montgomery, 239-931-6064
- Palm Beach Trim, Lake Worth**
Rick Williams, 561-588-8746
- Peace Millwork Co., Inc., Miami**
George Peace, 305-573-6222
- * **Pearcy Cabinetry, Inc, Apopka**
Paul Percy, 407-292-1406
- Periwinklers, LLC, Tarpon Springs**
Lois Snyder, 727-410-0263
- Rich Maid Cabinets Inc., Clearwater**
Douglas Roach, 727-572-4857
- * **Riverview Millworks, Inc., Jacksonville**
Charles Nichols, Jr., 904-764-9571
- Royal Cabinetry & Millwork, Hialeah**
Ed Garcell, 305-696-8329
- * **SMI Cabinetry, Inc., Orlando**
Michelle Hull, 407-841-0292
- Spacewerks, Inc, Clearwater**
Kenneth Yeager, 727-540-9714
- Star Quality, Inc., Tampa**
Max Sanchez, 813-875-9955
- * **Superior Millwork Company, Jacksonville**
Francis Polly, 904-355-5675
- Woodchuck Industries, Orlando**
Chuck Walczak, 407-295-9900
- Woodlane Cabinet Company, Tallahassee**
Michael Hewitt-Brown, 850-562-0491

Georgia

ALKMY, LLC, Norcross
Ryan Bloch, 404-474-0100

- * **Artisan Millworks, LLC, Dawsonville**
Arthur Murray, 706-216-1050

Augusta Cabinets & Casework, Evans
Phillip Boone, 706-814-4540

Augusta Sash & Door Sales of GA Inc., Evans
Bob Dehner, 706-738-1447

- * **Bridges Wood Products, Inc., Savannah**
Glenda Gunby, 912-897-2694
- * **Cabinets by Design, LLC, Duluth**
David Jones, 770-418-1200
- Century Caseworks, Lawrenceville**
Tim Miller, 770-338-2501
- * **Columbus Cabinet Co., Inc., Columbus**
Jay Blankenship, 706-561-6497
- * **Commercial Bank & Business Eqpt, Woodstock**
Joe Schieber, 770-924-1242
- * **Commercial Cabinetry of Georgia, Lawrenceville**
Joe Byrd, 770-466-1805
- Commercial Casework Industries, Dacula**
Eric Jenkins, 770-271-8280
- Connell Cabinets & Millworks Inc, Lakeland**
Kathy Parker, 229-482-3037
- * **Division 6 dba Royal Custom Cabinets, Norcross**
Amir Nejad, 770-263-8088
- H&H Regional, DBA Atlanta Casework Systems, Cumming**
Marty Hammond, 770-887-4766
- Kinnane Woodworking Inc., Atlanta**
Paul Kinnane, 404-758-5951
- * **Malone Design / Fabrication, Decatur**
Elizabeth Tuttle, 770-593-7279
- * **Mortensen Woodwork Inc., Union City**
Fred Mortensen, 770-969-1475
- Professional Casework & Millwork, Suwanee**
Chris Askew, 833-907-7626
- * **Raydeo Enterprises, Inc, Ball Ground**
Preston Byers, 770-720-1100
- RWP, Inc, Jesup**
Michael Laidlaw, 912-427-4499
- * **South Georgia Cabinet Co Inc, Ray City**
Thomas Clayton, 229-455-5800
- * **Welbornhenson, Inc., Atlanta**
Rebecca Kenton, 404-523-9277
- * **Williamson Millworks, Inc., Savannah**
Robin Grenchik, 912-964-2290
- Willingham Partners, LLC, Macon**
Brian Smith, 478-743-2642
- * **Woodtec Millwork Inc., Jefferson**
David Boring, 706-367-0617

Hawaii

Bruce Matson Company, Inc., Honolulu
Brent Matson, 808-380-9414

Idaho

- * **Advanced Custom Cabinets, Hayden**
Joe McCormick, 208-772-2377
- * **Beck Cabinet Company, Coeur D Alene**
Mike Beck, 208-664-0892
- * **Bledsoe Cabinets, Nampa**
Anna Webster, 208-433-0033
- * **Candela Construction - Interior Finishes Division, Hayden**
Joseph Martin, 208-661-5720
- * **Johnson Brothers Planing Mill Inc., Idaho Falls**
David Sargis, 208-522-3674
- * **Pacific Cabinets, Inc., Ferdinand**
Steve Frei, 208-962-5546
- * **Swainston Mill & Cabinets, Inc., Preston**
Alex Swainston, 208-852-2730

Illinois

- Amberleaf Cabinetry, Chicago**
Jim Wong, 312-493-6005
- * **American Designs, Inc., Chicago**
Bill MacWilliams, 773-542-1291
- * **Bernhard Woodwork, Ltd., Northbrook**
Mark Bernhard, 847-291-1040
- Cain Millwork, Inc., Rochelle**
Daniel Levin, 815-561-9700
- * **Cervantes / Salgado Arch. Woodworking, Montgomery**
Eduardo Salgado, 630-299-3374
- Demeter Millwork, Chicago**
Aash Desai, 312-224-4440
- George J. Rothan Co., Peoria**
Kevin Bowman, 309-674-5189
- GreatLakes Architectural Millworks, Chicago**
C. O'Donnell Winchester, 312-829-7110
- Heartland Cabinet Supply, Inc, Crystal Lake**
Gary Reece, 815-477-0900
- * **Heritage Restoration and Design, Inc., Peoria**
Stephen Berlinger, 309-637-5404
- Herner-Geissler Woodworking, Chicago**
Rebecca Dittmer, 312-226-3400
- * **Imperial Woodworking Company, Palatine**
Frank Huschitt, Jr., 847-358-6920
- Inter Ocean Cabinet Company, Elmhurst**
Ken Kamien, 630-930-5770
- J&J Woodwork Furniture, Bedford Park**
Jakub Skwarek, 708-563-9581
- * **KBI Custom Case, Inc., Hebron**
Janice LeTourneau, 815-648-4940
- Living Laminates, Maple Park**
Anthony Medina, 847-741-2004
- Mac Medical, Belleville**
Jim Gibney, 618-476-3550
- Majestic Architectural Woodwork, Bellwood**
Pat Montalbano, 708-240-8484

Marshall Furniture Inc, Antioch
Michelle Wille, 847-395-9350

Meilahn Manufacturing Co., Chicago
Terry Testa, 773-581-5204

New Style Cabinets, Chicago
Margaret Noga, 773-622-3114

* **Onsite Woodwork Corporation, Loves Park**
Joy Peterson, 815-633-6400

* **Parenti & Raffaelli Ltd., Mt Prospect**
Robert Parenti, 847-253-5550

* **Phoenix Woodworking Corporation, Woodstock**
Sandra Pierce, 815-338-9338

Premier Woodworking Concepts, Woodstock
Dean Lukey, 815-334-0888

* **Redbud Ridge Custom Shop, Inc., Bartonville**
Patrick Ruder, 309-633-1173

Roecker Cabinets and Millwork, Morton
Mike Matthews, 309-222-8300

Romar Cabinet & Top Company Inc, Channahon
Laurie Pillion, 815-467-9900

Siteline Interior Carpentry, Inc., Chicago
Thomas Frangella, 708-388-1920

Sprovieri's Custom Counters, Addison
Liz Ingebrigtsen, 630-543-3400

Starved Rock Wood Products, Mendota
Dave Steensland, 815-538-7797

* **Stevens Industries, Teutopolis**
Jordan Niebrugge, 217-540-3100

Vermillion Millworks, dba T.H. Snyder Co., Danville
Brad Irle, 217-446-8443

* **WKI, Harrisburg**
Blake Wilson, 618-253-7449

* **Wm. Huber Cabinet Works, Chicago**
Daniel Huber, 773-235-7660

Indiana

* **Advanced Cabinet Systems, Marion**
Philip Bowers, 765-677-8000

Antreasian Design, Inc., Indianapolis
Mark Antreasian, 317-546-3234

BC Countertops, Indianapolis
Ed Lough, 317-637-4427

Big C Lumber Company, Fort Wayne
Tim Lange, 260-422-5584

Brownsburg Custom Cabinets, Inc., Brownsburg
Robert Overman, 317-271-1887

Chisholm Architectural Millwork, Indianapolis
Doug Chisholm, 317-547-3535

D&L Wood Products, Inc., Crown Point
Adam Ligda, 219-662-9177

* **Euronique Inc., Elberfeld**
Scott Hasenour, 812-983-3337

* **Fredericks, Inc., Pendleton**
Chad Colip, 765-778-7588

Fuller Architectural Hardwoods, Daleville
Adam Fuller, 765-610-1345

Heartwood Manufacturing, LLC., Batesville
Joe Meyer, 812-934-5920

Interior Fixtures & Millwork Inc, Knightsville
Ray Jones, 812-446-0933

Koetter Woodworking, Borden
Carol Phillips, 812-923-4500

* **Kramer Furniture and Cabinet Makers, Inc., Edinburg**
Polly Kramer, 812-526-2711

* **LUE Manufacturing Corp., Wakarusa**
Steve Gongwer, 574-862-4249

* **MARC Woodworking Company, Indianapolis**
Joseph Hirsch, 317-635-9663

Meyer Custom Woodworking, Inc., Dubois
Steven Meyer, 812-695-2021

Midwest Cabinet Solutions, Inc., Marion
JP Jones, 765-664-3938

Myers Cabinets, Inc., Whitestown
Roy Myers, 317-769-5323

One Source Fabrication LLC, South Bend
David Rafinski, 574-232-4388

P. R. Bean Co. LLC, Washington
Jeremy Bean, 812-254-3761

Precision Wood Products, Mishawaka
Gary Matt, 574-255-7141

Signet Millwork LLC, Sellersburg
Kim Dawson, 812-248-0612

The MDC Group, Noblesville
Richard Sims, 317-776-1463

Wood Specialties by Fehrenbacher, Evansville
Chris Fehrenbacher, 812-963-9414

Wood Technologies LLC, Grabill
Lydiann Lengacher, 260-627-8858

Iowa

A.F. Johnson Millwork Co., West Des Moines
Lyn Lyon, 515-277-7222

* **Architectural Arts, Des Moines**
Jim Broich, 515-265-4441

* **Calmar Manufacturing Co., Inc., Calmar**
Frank Huschitt, 563-562-3261

* **Custom Woodworks, Ltd., Sioux City**
Mark Gingery, 712-252-4357

Dras Cases, Lake Mills
Tim Krebsbach, 641-592-3333

Fletcher Wood Products, Fort Dodge
Danny Fiferlick, 515-573-2021

G.C. Woodworking Inc., Ames
Greg Clouser, 515-232-0423

* **McComas-Lacina Construction, Iowa City**
Mike Manfull, 319-338-1125

MFI, LLC, Winterset
Preston Dolezal, 515-462-4965

Notch & Nail, LLC, West Des Moines
Brenden Hannah, 515-778-8284

* **Performance Display & Millwork, Grimes**
David Lewis, 515-986-0156

* **RCS Millwork, L.C., Ankeny**
Dan Keller, 515-289-3787

Robertson Manufacturing, Inc., Davenport
Guy Robertson, 563-322-7500

* **The Horizon Group, Inc., Davenport**
Neil Hamilton, 563-391-1891

* **VT Industries, Inc., Holstein**
Ann Duebner, 800-827-1615

Woodcrafters, Marion
Scott Grekoff, 319-373-6279

Kansas

Allen Millwork Company, Wichita
Jerry Allen, 316-943-5151

* **Blake Clotia, Wichita**
Naaman Ritchie, 316-263-9722

* **Cabinetry & Millwork Concepts, Inc., Topeka**
Jim Ziegler, 785-232-1234

CCM Countertop & Cabinet Mfg. Co., Wichita
Brent Traylor, 316-554-0113

* **Griffith Lumber Company, Inc., Saint Marys**
Robert Nixon, 785-776-4104

* **Highland Millshop, Topeka**
Brandon Haberman, 785-232-9328

* **Kitchens Inc., Dodge City**
Scott Bogner, 620-225-0208

MB Cabinetry, Andover
Paul McGinness, 316-303-4722

* **Midwest Cabinet Co., Inc., Ottawa**
Robert Howell, 785-242-8181

* **S.B.K. Supply & Millwork Co., Wichita**
Bob Schwarzenberger, 316-942-0911

* **Salina Planing Mill, Inc, Salina**
Steve Dunning, 785-825-0588

Technique Manufacturing Inc., Hutchinson
Ted Robinson, 620-663-6360

* **Timberline Cabinetry and Millwork, Manhattan**
Kent Swinson, 785-323-0206

Woodwork Manufacturing & Supply, Hutchinson
Rick Mitchell, 620-663-3393

Kentucky

Bargains Unlimited DBA Adams Cabinetry, Louisville
Clem Adams, 502-589-9500

Bluegrass Custom Cabinets, Louisville
George Morsman, 502-994-6112

* **Corman & Associates Inc., Lexington**
Bill Nave, 859-233-0544

* **Four Stone Mill and Casework, Louisville**
Keith Monsour, 502-451-1528



Firms in BOLD with asterisk are LICENSED participants in the AWI Quality Certification Program as of the print date. For an up-to-date status go to awiqcp.org.

- * **Harleywood Productions, LLC, Corbin**
Ray White, 606-528-1903
- * **Leininger Cabinet & Woodworking, Lexington**
John Leininger, 859-252-0429

Lexington Laminates Plus Inc, Lexington
Robert Wheeler, 859-233-7655

Louisville Lumber & Millwork, Louisville
Susan Boyd, 502-459-8710
- * **Morgan Smith Industries, LLC, Louisville**
Andy Keith, 270-384-0068
- * **Smith's Laminating Shop, Mount Washington**
Dwayne Endicott, 502-957-5151

Southern Solutions LLC, Nicholasville
Pat Caudill, 859-339-6881
- * **Stidham Cabinet, Inc., Corbin**
James Stidham, 606-528-3648

Louisiana

- * **Bayou Wood Products, Inc., West Monroe**
Steven Tippen, 318-397-0000
- * **Brian A. Hebert Woodworks, Inc., Lafayette**
Donna Matte, 337-984-2461

C & C Millworks, Inc., Baton Rouge
Cory Theriot, 225-273-1258

Cabinets by Perrier, Harahan
David Perrier, 504-733-3139

Central City Millworks LLC, New Orleans
Stan Walker, 504-899-1351

Custom Cabinet Specialties LLC, New Orleans
Dale Smith, 504-733-0220

Douglas Cabinet Co., Inc, Ruston
Pete Hancock, 318-768-2675
- * **Gator Millworks, Denham Springs**
Chad Foster, 225-667-7758
- * **Gretna Cabinet Company, Inc., Marrero**
Kerry Martin, 504-348-8232
- * **Gulf Coast Woodwork LLC, Lafayette**
Deke Broussard, 337-232-4987
- * **Hanley Gremillion Millwork & Supply, Alexandria**
Claire Weeks, 318-443-1202
- * **JJ Concepts, dba Superior Millworks, Denham Springs**
Bret Mounce, 225-928-9436
- * **Orleans Custom Millwork, LLC, Mandeville**
Eddie Hartson, 985-246-1300
- * **Picardie Timber Frame, llc, New Orleans**
Christina Worms, 504-587-9194

Specialty Furniture & Design, Deridder
Errol Unruh, 337-463-6918

- * **Superior Woodwork and Trim LLC, Deridder**
Alex Quebedeaux, 337-226-9787
- * **The Cabinet Shoppe, Thibodaux**
Irving Kliebert, 985-446-9100
- * **Woodward Millwork Group, Covington**
Danielle Rauch, 985-871-7723

Maine

- Hewes & Company, Blue Hill
Michael Overton, 207-374-2275
- * **Pond Cove Millwork, Inc., Saco**
Peter Flarity, 207-773-6819
- * **Trico Millwork Inc., Limington**
David Baker, 207-637-2711

Veneer Services Unlimited, Sanford
John Costin, 207-459-7221
- * **Windham Millwork, Windham**
Bruce Pulkkinen, 207-892-3238

YFI Millwork, Cape Neddick
Glenn Farrell, 207-363-8053

Maryland

- * **Baker & Kerr, Inc., Upper Marlboro**
Dave Baker, 301-390-1090

Blair Construction L.L.C., Millersville
James Blair, 410-729-0777
- * **Brunswick Woodworking, Ijamsville**
Steve Harris, 301-874-4905
- * **Cabinet Max Corp, Baltimore**
Ken Gretz, 410-265-9026
- * **Cafe Millwork LLC, Baltimore**
Cheryl Nichols, 202-306-7330

Cherryworks Ltd., Kingsville
Angela Courtalis, 410-592-5977

Chesapeake Millworks, Dunkirk
Jim Hardy, 301-855-6700
- * **Chesapeake Woodworking, Baltimore**
David Schreiber, 410-276-1060
- * **D & S Millwork, Inc., Lanham**
Bernardo Ahlborn, 301-937-4244

Display Craft Mfg. Co., Halethorpe
Todd Weitzman, 410-242-0400
- * **G.T. Brothers, Inc., Westminster**
Christy White, 443-605-1345
- * **Grizz Custom Cabinets, Inc., Forest Hill**
Robin Matthews, 410-420-3510

J. Miles Construction, LLC, District Heights
Jason Miles, 240-393-4112
- * **Maryland Millwork Inc., Hagerstown**
Tim Myers, 301-733-4600

National Custom Millwork Inc., Beltsville
Donald Castro, 301-595-4448

- * **New Era Custom Design & Cabinet Works, Frederick**
Johnny Gage, 301-695-4310
- * **Specified Woodworking Corp., Laurel**
Duane Gross, 301-598-8200
- * **The Washington Woodworking Co., LLC, Landover**
Frankie Jordan, 301-341-2500
- * **Wood Creations Inc., Owings**
John Downing, 301-855-7986
- * **Worcester Eisenbrandt, Inc., Baltimore**
Kirk Sylvester, 410-644-6580

Massachusetts

- Alpha Builders, DBA Sterling Arch. Millwork, Springfield
Fotis Gazis, 413-732-2131

Blessington Corporation, Gardner
Bruce Blessington, 978-632-6500
- * **Blue Hive Inc., Worcester**
Glenn Martin, 508-581-9560

Davis Architectural Woodworking, Inc, Boston
Earl Davis IV, 617-275-8069

Interex, Amesbury
Michael Ferrantino, 978-388-8755

J.C. Clocks Company, North Dartmouth
Aguinaldo Correia, 508-998-8442

J.H. Klein Wassink & Co., Inc., Concord
John Wassink, 978-369-3471

Jules Gourdeau, Inc., Beverly
Monique Jalbert, 978-922-0102

Kochman Reidt and Haigh Inc., Stoughton
Maureen Simoes, 781-341-4313
- * **Mark Richey Woodworking, Newburyport**
Mark Richey, 978-499-3800
- * **Mass Cabinets, Inc., Methuen**
Mike Sarno, 978-738-0600

National Millwork, Mansfield
Erick Masaitis, 508-269-5023

New England Caseworks, Inc., Woburn
Matthew Teal, 781-932-9980

Old Colony Cabinets Inc., Stoughton
Julie Edwards, 781-341-2244

Padco Inc., Worcester
Joseph Padavano, 508-753-8486

Ponders Hollow Custom Moulding & Flooring, Westfield
Gerald Lashway, 413-562-8730

Shaw Woodworking Inc., Cotuit
James Shaw, 508-563-1242
- * **South Shore Millwork, Inc., Norton**
Jeffrey Burton, 774-225-6300
- * **Valiant Industries, Inc., Amesbury**
R. Ward Osgood, 978-388-3792

VCA Inc., Northampton
Deborah Daniell, 413-587-2750

Watson Brothers LLC, Middleton
Cathleen Young, 978-774-7677

* **Westek Architectural Woodworking, Westfield**
Bruce Scheible, 413-562-6363

Windsor Architectural Woodworking, Malden
Michael Moscaritolo, 781-324-9600

* **Woodcraft Designers & Builders, Canton**
Lukasz Wasiak, 508-584-4200

* **Wright Architectural Millwork, Northampton**
Michael Buell, 413-586-3528

Young's Woodworking Inc., Amesbury
Karen Young, 978-834-9028

Michigan

Advantage Millwork - Division of D & D
Building, Wyoming
Jim Keuning, 616-248-7908

Allen Bradley Interiors Inc., Rhodes
Brian Allen, 989-689-4133

BJC Services Inc, Chesterfield
Brandon Jennings, 586-783-4559

Bourne Industries Inc., Corunna
Jeffrey Walters, 989-743-3461

* **Britten Woodworks, Interlochen**
Jeremy Hoxie, 231-275-5457

* **Case Systems, Midland**
Thomas Bauer, 989-496-9510

Daiek Woodworks, Bruce Twp
John Daiek, 586-268-1144

Division 6 Fabrication & Installation, Warren
Zach Potance, 586-576-7059

G.I. Millwork Inc., Plymouth
John Malcom, 734-451-1100

Grand Valley Wood Products, Wyoming
Shawn Hager, 616-475-5890

* **Great Lakes Stainless, Inc., Traverse City**
Michael DeBruyn, 231-943-7648

Handorn, Inc., Grand Rapids
Seth Erlandson, 616-241-6181

Harbor Industries, Grand Haven
Brock Mahler, 616-842-5330

Haworth, Inc., Holland
Neal Sturuss, 616-393-3000

Iannuzzi Millwork Inc., Fraser
Dominic Iannuzzi, 586-285-1000

MOD Interiors Inc., Ira
Matthew Gaglio, 586-725-8227

Modern Millwork, Inc., Wixom
Jeff Weinger, 248-347-4777

National Specialty Contractors, LLC, Ypsilanti
Carl Paine, 734-985-2371

NUCRAFT Furniture, Comstock Park
Kelly Prielipp, 616-328-8307

SmithMade, Shelby Township
Shayn Smith, 586-991-0445

Steelcase Inc., Grand Rapids
Ashley Greer, 616-328-7277

* **Strata Design, Traverse City**
Tyler Cerny, 231-929-2140

* **Trend Millwork LLC., Lincoln Park**
Brian Zuccaro, 313-383-6300

Minnesota

Andersen Cabinet, Inc., Saint Paul
Richard Andersen, 651-777-5377

Artifex Millwork Inc., Wyoming
Brian Miller, 651-462-5137

Commercial Fixtures Inc., Saint Paul
Jeff Stcynske, 651-628-9199

CTB Inc, Wyoming
Kevin Stachowski, 651-462-3550

Damschen Wood, Inc., Hopkins
Daniel Damschen, 952-933-3600

Distinctive Cabinet Design, Foley
Joe Fradette, 320-968-4351

Focal Point Fixtures Inc., Saint Cloud
Scott DeMarais, 320-203-1100

* **Goebel Fixture Company, Hutchinson**
Matthew Field, 320-587-2112

Hansen & Company Woodworks, Saint Joseph
Adam Hansen, 320-363-0051

Interior Components Group Inc., Saint Cloud
Corey Hanson, 320-230-9525

Interscapes, Brooklyn Center
Ron Lyrek, 612-522-5009

Janish Wood Products, Inc., Ham Lake
Kenneth Janish, 763-434-9090

Madsen Fixture & Millwork, Inc, Forest Lake
Jeffrey Trippe, 651-982-6220

Minnor Industries, Roseville
Jessica Berg, 651-361-7500

Northern Woodwork, Inc., Thief River Falls
Lincoln Olson, 218-681-2305

R.C. Smith Company, Burnsville
Peter Smith, 952-854-0711

* **Shaw/Stewart Millwork, Minneapolis**
Marilyn McCann, 651-488-2525

* **Siewert Cabinet & Fixture Mfg. Inc., Minneapolis**
Rick Siewert, 612-721-4456

* **Southern Minnesota Woodcraft, Inc., Faribault**
Brad Cohen, 507-334-4985

St. Germain's Cabinet Inc., Duluth
Steve Fairbanks, 218-624-1234

* **Wilkie Sanderson, Sauk Rapids**
Marc Sanderson, 320-252-3165

Mississippi

Associated Architectural Products Inc.,
Columbus
Richard Ferguson, 662-245-0400

* **Commercial Millwork Specialist, Inc., Gulfport**
Trey Pennell, 228-868-3888

* **McNeil Cabinet & Millwork, Bay Springs**
Philip McNeil, 601-764-2100

* **Scanlon-Taylor Millwork Co., Jackson**
Frances Fraley, 601-362-5333

* **South Coast Architectural Woodworking, Inc., Moss Point**
Burnie Kellum, 228-475-0912

Wood Works LLC, Ridgeland
Shannon Hahn, 769-300-2257

WoodWorkers Construction, Inc., Picayune
Roland Fanguie, 601-889-0322

Missouri

A to Z Laminating Specialists Inc, Wentzville
Mike Zender, 636-332-9961

Architectural Components Group Inc,
Marshfield
Larry White, 417-869-6777

Benee's Inc, Farmington
Debbie Elders, 573-756-0035

* **C.S. Humphrey & Company LLC, Kansas City**
Sara Humphrey, 816-444-8100

* **Cabinet Masters, Inc., Ironton**
Matt Dunn, 573-546-9999

* **Cohen Architectural Woodworking, Saint James**
Noah Cohen, 573-265-7070

* **D. H. Schmidt Co., Inc., Saint Peters**
Rick Schmidt, 636-441-1555

* **Fixture Concepts Inc., Saint Peters**
Craig McDonough, 636-441-2210

* **Fixture Contracting Co Inc, Saint Louis**
Gary Sauer, 314-429-5222

* **Gravois Planing Mill, Inc., Saint Louis**
Robert Paradoski, 314-776-2800

KC Custom Woodworking, Kansas City
Kent Klepper, 816-283-3335

Lami Wood Products Corp, Saint Peters
Clay Richardson, 636-441-4430

Lancia Brothers Woodworking & Fixture
Manufacturing Co., Saint Louis
Bob Naumann, 314-721-0413

Merric Millwork and Seating, O Fallon
Daniel Claypool, 314-770-9944

St. Louis WoodWorks, Saint Louis
Gary Leek, 314-652-9663

* **WoodByrne Cabinetry, Inc., Saint Louis**
Timothy Byrne, 314-621-4545



Firms in BOLD with asterisk are LICENSED participants in the AWI Quality Certification Program as of the print date. For an up-to-date status go to awiqcp.org.

Montana

Moderne Cabinet, Great Falls
Layne Shanahan, 406-453-4711

Pine Door Manufacturing, Darby
Steve Morris, 406-821-3024

* **Pyramid Cabinet Shop, Billings**
Dan Hugelen, 406-876-1521

* **Sidney Millwork Company, Sidney**
Lee Harris, 406-482-2810

WoodEz Fine Woodworks, LLC, Columbia Falls
Bill Woody, 406-892-5194

Nebraska

* **C & H Cabinets and Countertops, Inc., Crete**
John Culver, 402-826-5887

Kay Dee Company of Omaha, Omaha
Scott Rasmussen, 402-593-9663

Ratigan-Schottler, Beatrice
Patrick Ratigan, 402-223-3220

Nevada

* **B & C Cabinets & Millwork, Inc., Carson City**
Alex Bullentini, 775-322-0000

* **Herrick & O'Herron, Inc., North Las Vegas**
Brian Herrick, 702-651-9725

* **Pacific Showcase, Las Vegas**
Steve Keane, 702-796-7272

* **Victory Woodworks, Sparks**
Brandan Koehn, 775-348-7552

Weber's Cabinet & Fixture Co., Reno
Nick Weber, 775-322-1100

New Hampshire

Aubin Woodworking, Inc., Bow
Tony Aubin, 603-224-5512

* **C.W. Keller & Assoc. Inc., Plaistow**
Shawn Keller, 603-382-2028

Chamberlain Companies Inc., Salem
Rebecca Janco, 603-893-2606

Procraft Corporation, New Boston
James Wilcoxon, 603-487-2080

* **The Woodworks Architectural Millwork Co., Londonderry**
Gary Bergeron, 603-432-4050

New Jersey

Artistic Doors and Windows, Avenel
Rick Autovino, 732-726-9400

* **B & M Custom Cabinetry, Bellmawr**
Mark Leonetti, 856-227-9248

BON Architectural Millwork, LLC., Pennsauken
Robert Bonacorsi, 856-320-2872

Capitol Woodwork, Marlton
Richard Palko, 856-817-0001

Collingswood Architectural Millwork Inc.,
Collingswood
Robert Engelke, 856-854-0440

* **Corporate Woodworking, Inc., Fairfield**
Mark Andersen, 973-227-2211

Diversified Fixture, Lakewood
Phil Vitillo, 732-886-0600

Eastern Millwork Inc., Jersey City
Andrew Campbell, 201-451-9510

Epic Millwork, Somerset
Vincent Biviano, 732-296-0273

* **Hausmann Industries, Inc., Northvale**
Richard Breitenbach, 201-767-0255

Hutchinson Cabinets, Sewell
George Hutchinson, 856-468-5500

Interior Woodwork Installation, Newark
Daniel Martins, 973-873-1575

* **Jafco Industries, Middlesex**
Abraham Wercberger, 732-356-1502

Laurel Millwork, Gloucester City
Gary Gilbert, 856-251-3100

Logan Millwork, LLC, Newton
Stephen Logan, 973-383-0400

* **Lukach Interiors, Inc., Clifton**
Mike Stefanoski, 973-777-1499

Metropolitan Woodwork, Springfield
Sender Gluck, 908-481-1300

* **Osborn's Mill, Farmingdale**
Mark Piccolo, 732-751-0889

Patella Woodworking, Passaic
Darrin McCool, 973-916-0100

* **Prestige Millwork LLC, Branchburg**
Tracy Bugasch, 908-526-5100

* **RPI Industries Inc., Medford**
Serena Smith, 609-714-2330

Salon Interiors, South Hackensack
Walter Siegardner, 201-488-7888

* **Sloan & Company, Inc., Mountain Lakes**
Gennady Zaretsky, 973-227-3555

Somerset Wood Products Co., Raritan
Mitch Bloch, 908-526-0030

Victor Robbins Group LLC, Hainesport
Robert Schultz, 609-267-0080

New Mexico

* **Albuquerque Cabinet Brokers, LLC, Albuquerque**
Gary Harwood, 505-345-4331

* **Antix, Inc., Las Cruces**
Anthony Harris, 575-526-2398

Artistic Millwork & Cabinets, Albuquerque
Ronald Sanchez, 505-899-6006

* **Enterprise Builders Corporation, Inc., Albuquerque**
Ralph Baldwin, 505-857-0050

* **Fame Mfg/NM School Products, Albuquerque**
Pete Moore, 505-884-1426

* **Jaynes Structures, Inc., Albuquerque**
Andrew Sisneros, 505-345-8591

* **OGB Architectural Millwork, Albuquerque**
Dave Greig, 505-998-0000

* **P&M Caseworks, LLC, Albuquerque**
Adrian Jansz, 505-883-4617

Westwood Cabinets and Store Fixtures,
Albuquerque
Clayton Detar, 505-345-9604

New York

All Craft Fabricators, Inc., Hauppauge
Rob Thompson, 631-951-4100

American Building Contractors, Lindenhurst
Ryan Bracken, 631-587-0928

ArchWood, INC., Rochester
Mark Laese, 585-233-8920

* **Artone, LLC, Jamestown**
Michael Calimeri, 716-664-2232

* **Bauerschmidt & Sons, Inc., Jamaica**
Fred Bauerschmidt, 718-528-3500

Beaver Creek Industries, Inc., Canaseraga
Gary Bajus, 607-545-6382

* **BGI Interiors, Lackawanna**
David Owczarzak, 716-893-1417

Carob Industries Inc, Holbrook
Robert Levey, 631-225-0900

Centre Interiors Woodworking Co., Inc., Ozone
Park
Alex Lee, 718-323-1343

Champion Millwork, Inc., Syracuse
Mark Zapisek, 315-463-0711

* **Christiana Millwork, Jamesville**
Ross Tuzzolino, 315-492-9099

* **Clearwood Custom Carpentry & Millwork, East Syracuse**
Kyle Latray, 315-432-8422

Colecraft Commercial Furnishings, Jamestown
David Messinger, 716-488-2810

- * **Conley Caseworks, Elma**
David Lock, 716-655-5830
- * **Consigli Construction, NY, Pleasant Valley**
Dan LaCelle, 845-635-1800

Creative Laminates, Inc., Syracuse
Brian Boehm, 315-463-7580

Dart Architectural Woodworking LLC, Brooklyn
Artiom Tomchin, 718-497-1837
- * **Digifabshop, Hudson**
John Tompkins, 518-249-6500
- * **E. M. Pfaff and Son, Inc., Horseheads**
Susan Alexander, 607-739-3691

Elli NY Design Corp., Ridgewood
Peter Ligas, 718-418-9002
- * **Forest Materials Inc, Buffalo**
Jeffrey Hoffman, 716-895-3900
- * **Four Daughters, LLC, Long Island City**
Moshe Granit, 718-391-0440

George V DeVito Master Carpenter Inc, Medford
George DeVito, 631-286-5080

Gilbert Displays Inc., Melville
Marshal Gross, 631-577-1100

Handcraft Cabinetry Inc., White Plains
Michael Ford, 914-681-9437

Island Architectural Woodwork, Inc.,
Ronkonkoma
Edward Rufrano, 631-737-0020
- * **Lifetime Design Corp, Deer Park**
James Romanelli, 631-242-1162

Luxury Interiors by Pic, Long Island City
Andy Kukla, 917-776-7900

M&D Millwork, LLC, Amityville
Darren Winter, 631-608-4444

Mamais Contracting Corp., New York
Stavroula Mamais-Lorino, 212-865-1666
- * **Millco Woodworking LLC, Hall**
Kelly Christensen, 585-526-6844

Miller Blaker, Inc., Bronx
Jerome Nocerino, 718-665-0500

MMC Millwork, Troy
Lief Larsen, 518-465-1155

MTD Corporation, West Babylon
Matthew Turnbull, 631-491-3905
- * **North Country Millworks, Massena**
Creig Donnelly, 315-250-3707

NR Wood Design, Brooklyn
Franklin Nunez, 718-497-2566

Nu-Tech Furnishings, Islandia
Gary Citera, 631-923-0300

NY Custom Interior Millwork Corp., Astoria
Elizabeth Lagos, 718-392-1600
- * **PGS Millwork, Inc., Hudson**
Scott Manchester, 518-828-2608

- Platinum Millworks, Inc, Bronx
Aidan McCormack, 718-509-0990
- Precision Cabinets Inc., Smithtown
Peter Loscialpo, 631-543-3870

Quaker Millwork and Lumber, Inc., Orchard
Park
Robert Raber, 716-662-3388
- * **R.B. Woodcraft, Inc., Syracuse**
Raymond Brooks, 315-474-2429

Red Barn Cabinet Shop, Brooktondale
Ben Boynton, 607-539-7675

Ridge Cabinet & Showcase, Inc., Rochester
Steve Lader, 585-663-0560
- * **Riverfront Custom Design, Inc., North
Tonawanda**
Paul Tucker, 716-693-2501

S. Donadic, Inc., Long Island City
Johnny Donadic, 718-361-9888
- * **Scanga Woodworking Corp., Cold Spring**
Laura Hammond, 845-265-9115

Solid Surface Craftsman, Inc., Glenville
Alan Boulant, 518-388-8644

Storm King Group, Inc., Montgomery
Tim Leiching, 845-457-5552

Thornwood Architectural Woodwork Inc.,
Thornwood
Tim Egan, 914-773-1400
- * **Tobin Woodworking, Inc., Farmingdale**
Jody Tobin, 631-249-1614
- * **T-Squared Custom Millwork Inc., Oxford**
Tamara Tarbell, 607-843-2442

Vella Interiors, Inc., Long Island City
Michael Vella, 718-729-0026

W. Designe Inc., Peekskill
Alejandro Bernabo, 914-736-1058
- * **Wood Etc., Inc., Syracuse**
Jesse Schmidt, 315-484-9663

Woodtronics Millwork Corp., Yorktown Heights
Jan Efraimsen, 914-962-5205

North Carolina

- * **AMG Casework, Morrisville**
Nathan McLeod, 919-462-9203
- * **Arrowood Manufacturing, LLC, Norwood**
Jim Yeatts, 704-787-4151
- * **Atlantic Commercial Caseworks, Charlotte**
Nathaniel Gatewood, 704-393-9500
- * **Basepoint, Inc., Sharpsburg**
Larry Gutshall, 252-977-7549
- * **BMC Architectural Millwork, Greensboro**
Pat Bullard, 336-621-1208
- * **Cabinet Kraftsmen Specialties, Inc., Durham**
D.J. Spencer, 919-477-6318
- Carocraft Cabinets, Inc., Charlotte
Larry Stroud, 704-376-0022
- * **Casework, Hudson**
John Bostian, 828-212-0000
- * **Custom Wood Products of Rural Hall, Rural Hall**
James Simmons, 336-969-6886
- * **D&L Cabinets, Inc., Graham**
Louis DeMarco, 336-376-6009
- * **Forest Millwork, Inc., Asheville**
Alan Tenan, 828-251-5264
- * **Hajjar Cabinet Systems, Goldsboro**
William Hajjar, 919-735-7547
- * **Hardwood Designs, Hillsborough**
Tom Carstens, 919-643-1100
- * **Interior Wood Specialties Inc., High Point**
Huig Zuiderent, 336-431-0068
- * **Kewaunee Scientific Corporation, Statesville**
Chris Webb, 704-873-7202

Lentz Cabinets and Associates LLC, Etowah
Jason Higgins, 828-687-7688
- * **Master Kraft Inc, Matthews**
Michael Kovalev, 704-234-2673
- * **MDN Cabinets Inc, Raleigh**
Justin Hanlon, 919-662-1090

Metro Woodcrafter of NC, Inc, Charlotte
Barry Rigby, 704-394-9622

Metrolina WoodWorks Inc, Stallings
Fred Crawford, 704-821-9095
- * **Northside Millwork Inc., Hillsborough**
Peter Singer, 919-732-6100
- * **Prestige Millwork Inc., Star**
Kim Gariepy, 910-428-2360

Pridgen Woodwork Incorporated, Whiteville
Jack Burgess, 910-642-7175

RLS Commercial Interiors, Inc., Wendell
Robert Stout, 919-365-4086
- * **Rowland Woodworking, Inc., High Point**
Jeffrey Cox, 336-887-0700

S. Harris Inc., Sophia
Steven Harris, 336-399-4919

Salisbury Millwork/Kronen Casework, Salisbury
Clay Lindsay, 704-603-4501
- * **Stanly Fixtures Co., Inc., Norwood**
Todd Curlee, 704-474-3184
- * **Stephenson Millwork Co., Inc., Wilson**
Lee Stephenson, 252-237-1141
- * **The Ullman Group, Charlotte**
Luke Ullman, 704-321-4174

Thompson Millwork, LLC, Durham
Matthew Thompson, 919-596-8236

TS Woodworks and RAD Design, Inc., Monroe
Toral Jagani, 704-238-1015



Firms in BOLD with asterisk are LICENSED participants in the AWI Quality Certification Program as of the print date. For an up-to-date status go to awiqcp.org.

Unique Concepts, Wendell
Lynne Leach, 919-366-2001

* **Watson Wood Works, Winston Salem**
Jesse Watson, 336-788-1881

WoodTech/Interiors, Inc., Charlotte
Bob Binner, 704-332-7215

Yadkin Valley Cabinet Co, Inc, Mount Airy
Brad Collins, 336-786-9860

Zepa Industries, Inc., Charlotte
Ed Zepa, 704-583-9220

Minot Sash and Door Company, Minot
Michael Feist, 701-852-2181

* **TMI Systems Corporation, Dickinson**
Chris Johnson, 701-456-6716

* **Woodside Industries, Inc., Cavalier**
Jerry Symington, 701-265-8212

Ohio

* **Amtekco Industries, Inc., Columbus**
Roger Henry, 614-228-6590

* **ArtWoodworking & Mfg. Co., Cincinnati**
Ralph Dickman, 513-681-2986

Benchmark Woodworks Co., Delaware
Daniel Witt, 740-363-2525

* **Bruewer Woodwork Mfg. Company, Cleves**
Ralph Bruewer, 513-353-3505

* **Cassady Woodworks Inc., Dayton**
Tom Joch, 937-256-7948

* **Colby Woodworking, Inc., Dayton**
Katherine Penney, 937-254-7647

* **Conte Custom, Ltd, Columbus**
Sam Amore, 614-595-3558

* **Cooper Enterprises, Inc., Shelby**
LaMont (Monty) Friebe, 419-347-5232

* **Corna Kokosing Construction Co., Westerville**
Jim Graves, 614-901-8844

* **CourtHouse Manufacturing, LLC dba Chappell Door Co., Washington Court House**
Wayne Gooley, 740-335-2727

* **Crowe's Cabinets, Inc., Poland**
Tim Crowe, 330-729-9911

* **Custom Millwork Designs, Oakwood Village**
James Torrence, 440-232-4644

DB Cabinets & Construction, Arcanum
Dennis Benedict, 937-692-5633

Dover Cabinet Industries, Inc., Dover
John Perkowski, 330-343-9074

Eurocase Arch. Cabinets & Millwork, Millersburg
Nick Mullet, 330-674-0681

* **Forum Works LLC, Milford Center**
Preston Steele, 937-349-8685

Hamilton Casework Solutions, Fairfield
Brad Quick, 513-870-4400

Heartland Stairways, Holmesville
Delon Shetler, 330-279-2554

* **Hoge Lumber Company, New Knoxville**
Mike Burd, 419-753-2263

* **idX Corporation, Dayton**
Isaac Bokros, 937-401-3460

JAH Woodworking, LLC, Bloomingdale
John Humpe, 740-266-6949

* **Keim Lumber Company, Charm**
Duane Hershberger, 330-893-2251

Merritt Woodwork, Mentor
Keith Merritt, 440-942-0205

Midwest Commercial Millwork, Inc., Lima
Doug Coolidge, 419-224-5001

* **Mill Tech, LLC, Canal Winchester**
Kevin Henderson, 614-275-1888

* **Mock Woodworking Co., Zanesville**
Douglas Mock, 740-452-2701

MRO Built, North Canton
Michael Cox, 330-526-0555

Ohio Wooden Bench Co / Luken Construction,
Cincinnati
Kenneth Luken, 513-941-5400

Ohio Woodworking Company, Norwood
Tom Frank Jr., 513-631-0870

Okeana Hardwoods & Mfg., Okeana
Ken Zawaski, 513-738-3421

* **Reserve Millwork, Inc., Bedford Hts**
Diane Tutolo, 216-531-6982

Riceland Cabinet Corporation, Wooster
Todd Smith, 330-601-1071

* **Rivereast Custom Cabinets, Inc, Toledo**
John Weiser, 419-244-3226

Riverside Construction Services, Inc., Cincinnati
Robert Krejci, 513-723-0900

Robertson Cabinets Inc, West Milton
Jeffery Yantis, 937-698-3755

* **Royal Cabinet Design Co., Brook Park**
Joe Estephan, 216-267-5330

Salem Mill & Cabinet, Salem
Bruce Winters, 330-337-9568

Sauder Manufacturing Company, Archbold
Brent Holland, 800-537-1530

Sheridan Millwork & Cabinetry, Cleveland
Ed Sheridan, 216-663-9333

* **Signature Millshop, Columbus**
Mario Grilli, 614-469-1230

* **Southern Cabinetry Inc., Bidwell**
Don Strieter, 740-245-5992

* **Stanton Millworks, Cincinnati**
John Zembrodt, 513-961-7201

Stratton Creek Wood Works, LLC, Kinsman
Kathy Lawman, 330-876-0005

Stull Woodworks Inc., Troy
Brian Stull, 937-698-8181

* **TDS Custom Cabinets, Columbus**
Dustin Sauer, 614-850-7590

* **Ted Bolle Millwork, Inc., Springfield**
Patrick Nartker, 937-325-8779

* **Topcraft, Inc., Barberton**
Bill Cvammen, 330-753-3083

* **Vaughn Interior Concepts, Inc, Dayton**
Craig Vaughn, 937-220-9996

* **Vivo Brothers Inc., Poland**
Vince Vivo, 330-629-8686

Volpe Millwork Inc., Cleveland
John Volpe, 216-581-0200

Walsh Commercial Group dba Wood
Dimensions, Cleveland
Beth Czenkner, 216-251-5509

* **Wittrock Woodworking & Mfg., Blue Ash**
Chris Wittrock, 513-891-5800

* **Wood Concepts Inc., Cleveland**
Jackie Even, 216-579-0500

Oklahoma

Alpha Omega Woodworks, LLC., Norman
PJ Pinkerton, 405-364-0022

Bearwood Native, LLC, Tulsa
Jeff Cronin, 918-933-6601

* **Cooper Cabinet Systems, Oklahoma City**
Matt Cooper, 405-528-7220

* **EGR Incorporated, Oklahoma City**
Darren Lister, 405-943-0900

* **FADCO, Inc, Tulsa**
Bob Vincent, 918-832-1641

* **Lakewood Cabinetry, Langley**
Doug Olson, 918-782-2203

Strategic Retail Concepts, Sapulpa
Tony Ducato, 918-581-6800

* **Wood Systems, Inc., Tulsa**
Casey Decker, 918-749-7062

Oregon

* **Advance Cabinet Designs, Inc., Eugene**
Andy Michaud, 541-465-3394

* **Architectural Millwork Mfg. Co., Eugene**
Jarold Stump, 541-689-1331

- * **Artek, Inc., Beaverton**
Michelle Cartwright, 503-641-6877

Charles Marpet Fine Woodworking, Cottage Grove
Charles Marpet, 541-767-0672

Faustrollean Fixture Co, Inc., Portland
Dylan Zell, 503-735-4469
- * **Fuller Cabinets, Eugene**
Danielle Benson, 541-349-9887

W.C. Cabinets dba Fixturelogic, Eugene
Mike Petrushkin, 541-485-7579

Pennsylvania

- * **Advanced Trim and Kitchens, Kinzers**
Merv Engel, 717-442-8098
- * **Allegheny Millwork & Lumber, Lawrence**
William Clasper, 724-873-8700
- * **American Millwork & Cabinetry, Inc., Emmaus**
George Reitz, 610-965-0040

American Wood Design Inc., Chester
Jo Ann Gilhool, 484-380-9500
- * **Artisan Display Inc., Red Hill**
Ted Wassmer, 215-679-8577

ASST, McSherrystown
Kevin White, 717-630-1251
- * **Beam's Custom Woodworking Inc., Morgantown**
William Beam, 610-286-9040
- * **Bench Dogs, Denver**
Mike Knauer, 717-964-1111
- * **Bentley & Collins Company, Montoursville**
Kurt Fritz, 570-546-3250
- * **Boyertown Planing Mill Company, Boyertown**
John Bingaman, 610-367-2124

Brightbill Industries Inc., Harrisburg
Martin Brightbill, 717-233-4121

Bristol Millwork Inc., Philadelphia
Michael Baier, Sr., 215-533-1921

Burns & Wohlgemuth, Bensalem
George Wohlgemuth, 215-638-9672

C&S Custom Cabinets, Montoursville
Wesley Bower, 570-368-3130

Commercial Stainless, Bloomsburg
Brian Wawroski, 570-387-8980
- * **CraftPoint Concepts, Ephrata**
Konstantin Reznik, 717-283-4325

E. B. Endres Inc., Huntingdon
Richard Endres, 814-643-1860

F. DeFrank & Son Custom Cabinets, Inc., Smock
Dominic DeFrank, 724-430-1812
- * **Fine-line Cabinets, Inc., Hollidaysburg**
Douglas Irvin, 814-695-8133
- * **Giffin Interior & Fixture, Inc., Bridgeville**
Dustin Giffin, 412-221-1166

Glenshaw, Allison Park
Kenneth Rogg, 412-753-0231

- * **Harmony Plus Woodworks Inc., Dillsburg**
Terry Frankenfield, 717-432-0372
- * **Hoff Enterprises Inc., Johnstown**
Kurt Freidhoff, 814-535-8371

Interior Design Fabrications, Inc., Folcroft
Michael Sabatina, 610-237-0700

Ivan C. Dutterer Co., Hanover
Greg Musser, 717-637-8977
- * **J.C. Snavely & Sons, Inc., Lancaster**
Alan Hinson, 717-291-8989
- * **JB/Parisi, Newtown**
Timothy Parisi, 215-968-6677

JDR Fixtures, Inc., Pottstown
Jeremy Shaughnessy, 610-323-6599

JWI Architectural Millwork Inc., Mercersburg
Gary Ahalt, 717-328-5880

K&L Woodworking Inc, Reading
Sherry Romoho, 610-372-0738
- * **Master Woodcraft Corporation, Washington**
David Diesel, 724-225-5530
- * **Merrigan Corp dba/National Woodwork Manufacturing, Bethlehem**
Christine Merrigan, 610-317-6300

Millwork Solutions Inc., Seward
Bryan Paczek, 814-446-4009

Mitre Wright Inc., York
Todd Salony, 717-812-1000

Modern Casework Inc., Waynesboro
James Davis, 717-387-5287

Morris Black and Sons, Allentown
Charles Buchsbaum, 610-264-2700

New Holland Church Furniture, New Holland
Jevon Shrik, 717-354-4521

Paul Downs Cabinetmakers, Bridgeport
Paul Downs, 610-239-0142
- * **Pittsburgh Specialty Cabinet Company, Verona**
Leo Lisowski, 412-731-1092
- * **Rycon Construction Inc., Oakdale**
Danielle McCullough, 412-932-2525

Rynone Manufacturing Corp, Sayre
Richard Rynone, 570-888-5272

Schlaegle Design Build Associates, Pittsburgh
Casey Schlaegle, 412-458-3966

Seven Trees Woodworking, New Holland
Matt Miller, 717-351-6300

SSC Distributors, Chester
Barry Scholtz, 610-494-2700
- * **Tech 2000 Woodworks, Inc., Jeannette**
Keith Geller, 724-522-9914
- * **Wood-Metal Industries, Selinsgrove**
Scott Groce, 570-374-1176
- * **Wyatt Incorporated, Pittsburgh**
Frederick Episcopo, 412-787-5800

Puerto Rico

- Hambleton Group Companies, Inc., San Juan
Tito Suarez, -781-8186

Oficiosma, San Juan
Francisco Gutierrez, 787-505-5315

Riax Contractors Corp, San Juan
Axel Riveria, -754-6410

Rhode Island

- All State Fabricators, Div of EMI Industries, Cranston
William Johnson, 401-785-3900
- * **Artisan Millwork, LLC, Pawtucket**
Peter Sparling, 401-721-5500
- * **Design Fabricators, Inc., Cranston**
Roberta Degraide, 401-944-5294
- * **Frank Shatz & Company, Inc., Warwick**
Randy Shatz, 401-739-1822
- * **Herrick & White, Ltd., Cumberland**
Kenneth Bertram, 401-658-0440

Interior Woodworking Solutions, Cranston
Brian Franco, 401-919-5959
- * **Jutras Woodworking, Inc., Greenville**
Dave Payette, 401-949-8101
- * **Millwork One, Inc., Cranston**
John Fish, 401-738-6990

T & C Woodworking, Pawtucket
Gary Branch, 401-728-9663

Wetstone Design & Millwork, Middletown
Fred Rego, 401-619-5930

South Carolina

- Biggs Casework, Florence
Catharine Love, 843-673-0081
- * **Blue Ridge Cabinetworks, LLC, Drayton**
Benjamin Ratterree, 864-595-0398
- * **Coastal Millwork & Supply LLC, Summerville**
Mary Miller, 843-873-9192
- * **Designer Cabinetry by Flanders, Gaston**
Paul Flanders, 803-739-0034
- * **James McGrew Cabinetmakers, Columbia**
James McGrew, 803-933-9988
- * **Low Country Case and Millwork, Inc., Ladson**
David Stasiukaitis, 843-797-0881

M&M Custom Woodworks, Inc., Greenville
Gregory Mock, 864-269-0888
- * **Palm Bay Cabinet Company, LLC, Beaufort**
Dustin Qualls, 843-846-2900
- * **PCI Cabinetworks, Harleyville**
Patricia Wilkinson, 843-462-7509
- * **Peralta Woodworks, Inc., Columbia**
Ernie Peralta, 803-779-6669
- * **Satterfield Woodworking Inc., Greer**
Gene Fowler, 864-877-0706



Firms in BOLD with asterisk are LICENSED participants in the AWI Quality Certification Program as of the print date. For an up-to-date status go to awiqcp.org.

- * **Southern Commercial Interiors Inc., Lexington**
Rick Batchelor, 803-808-0346
- * **Specialty Woodworks, Inc., Lexington**
Graham Houghten, 803-957-8872
- * **Woodco Inc., Piedmont**
Brian Dobson, 864-277-4001

South Dakota

- GHC Casework, Sioux Falls
Hunter Irvine, 605-336-6082
- JMJ Caseworks, Sioux Falls
Becky Miller, 605-332-0805
- * **Maloney, Inc., Sioux Falls**
Chris Maloney, 605-368-5214
- * **Riss & Associates Cabinets & Casework, Black Hawk**
Timothy Roth, 605-718-5080

Tennessee

- American Millwork & Granite, Memphis
Carlo Foster, 901-550-8249
- ANA Woodworks, LLC, Chattanooga
Mike MacKinnon, 423-867-3171
- Architectural Surfaces LLC, Chattanooga
Larry Leigh, 423-899-6233
- Cabeen Originals, Chattanooga
Aaron Cabeen, 423-521-0797
- * **CampbellRhea-ICI, Paris**
Jim Arthurs, 731-642-4251
- Cedar Forest Construction, LLC, Lebanon
Brett VanSickle, 615-481-7005
- Clancy Custom Woodworking, Knoxville
Art Clancy, 865-938-4638
- Courtland Woodworks, Inc., Heiskell
Jennifer Atkins, 865-938-8387
- * **Cumberland Architectural Millwork, Nashville**
Andrew Martin, 615-254-1710
- Custom Counter & Display LLC, Chattanooga
Randy Burrows, 423-648-0490
- Integrity Architectural Millwork, Nashville
Frank Fuzzell, 615-332-0076
- Maverick Millwork LLC, Collierville
Anthony Musarra, 901-219-2233
- Memphis Masterworks LLC, Memphis
Trevor Knight, 901-525-9966
- * **Memphis Plywood Corporation, Memphis**
Brian Wilhite, 901-948-5531
- Mill Creek Associates, Inc, Antioch
Stephen Landers, 615-832-0737
- R.J. Wherry & Associates, Madison
Colton Wherry, 615-868-1821

Slater Lumber + Millwork LLC, Memphis
John Slater, 901-207-6574

- * **SledgeCraft, Inc., Murfreesboro**
Trevor Sledge, 615-898-1223
- * **Steve Ward and Associates, Inc., Nashville**
Andrew Ward, 615-350-7310
- Sudberry Millwork Inc., Nashville
Clay Zorn, 615-331-4076
- * **Tate Ornamental Inc., White House**
Ernie Palmquist, 615-672-8333
- Vintage Millworks, Inc., Nashville
Margaret Dunn, 615-244-8044

Texas

- * **3V Company, Houston**
Ruben Villarreal, 281-717-1200
- Abilene Millwork, Abilene
Franz Hallgren, 325-677-8856
- Acacia, Porter
Will Fuller, 877-565-5995
- AEP Millwork, Arlington
Alan Davis, 817-522-4542
- Allan Commercial Millwork, Sherman
Amitkumar Patel, 469-213-0405
- Alvarez Custom Cabinets Inc., Amarillo
Fabian Alvarez, 806-731-0540
- Ambrose Taylor LLC, dba HEWN, Austin
Ambrose Taylor, 512-386-6404
- * **Anton Cabinetry, Pantego**
John Anton, 817-460-8681
- Ar-Case, Inc. dba Architectural Caseworks of TX,
San Antonio
Marie Plata, 210-735-5175
- * **Austin Conor Millwork, Joshua**
Melissa Plihal, 817-295-8837
- * **Brochsteins, Houston**
Steven Hecht, 713-666-2881
- Buda Woodworks LLC, Buda
Jason Hair, 512-312-0550
- Carpentry Associates, Arlington
Peter Sandoval, 469-766-1069
- * **Casework Solutions LLC, El Paso**
Juan Soto, 915-875-8640
- * **CCI Group, Longview**
James Hodges, 903-753-2488
- * **CG Millwork and Construction LLC, El Paso**
Carlos Gallardo, 915-239-1980
- * **Christman Millwork, Sunnyvale**
Rod Luedtke, 469-501-5475
- * **Classic Millwork & Products Inc., El Paso**
Bruce Spitz, 915-494-2129
- Comac Fixtures, Inc., Amarillo
Ruby Weiss, 806-376-4511
- Concepts in Cabinetry, Saint Hedwig
Sharon Scrimpsheer, 210-667-1717
- Contemporary Concepts Inc, Texarkana
Venetia Williams, 903-831-4482
- CRC-Mastercraft, Inc., Houston
Candi Graves, 281-897-8880
- Cubic Custom Cabinets Corp., Grand Prairie
Michael Haynes, 972-647-4090
- CWW Millwork LLC, Houston
Obad Morales, 832-619-1068
- * **Dovetail Custom Woodworks, Del Valle**
Isaac Alexander, 512-924-5555
- * **Environment LTD, Houston**
Rob Gerry, 281-983-0100
- Environs Architectural Millwork , Pflugerville
Matt Clawson, 512-990-0037
- Facility Construction Services, Inc. (FCS), Dallas
Paul Holden, 214-381-0101
- Fish Construction, Inc., Stafford
Scott Fish, 281-261-3375
- Garken Commercial Millwork, Plano
Justin Prater, 972-516-1000
- Georgetown Woodworks, Georgetown
Trish Morrison, 512-868-9048
- Global Casework Manufacturing, Sugar Land
George Abuata, 281-494-6181
- Goebel Woodwork, Cuero
Carl Krueger, 361-277-5220
- Hollman Inc., Irving
Travis Hollman, 972-815-4000
- Houston Cabinets, Houston
Rick Keschinger, 713-349-0848
- * **Howard-McKinney, Inc., Tyler**
Mike Johnson, 903-593-3651
- * **Hunter Millworks, Inc., Lubbock**
Dan Poole, 806-792-4864
- Imperial Contracting LLC, Horizon City
Eddie Palacios, 915-533-8515
- Imperial Woodworks, Inc., Waco
Kevin Smith, 254-741-0606
- Impressions Architectural Millwork, Cypress
Barbara Dumaine, 281-477-8080
- * **JC Manufacturing Inc, Emory**
Toby Zyroll, 903-473-3770
- * **JC Millwork Inc, Flower Mound**
Donny Palmertree, 469-702-2570
- Jericho Woodworks, Stafford
Nidal Abuata, 281-969-7947
- * **Joshtom Millwork, Houston**
Tobin Englet, 281-561-8484
- JSR Inc., Schertz
Craig Williams, 210-653-7772
- * **K&J Woodworks, Uhlend**
Brett Burich, 512-668-4237

* **Keystone Millwork Inc., Bryan**
Susan Bailey, 979-823-4846

KTI Cabinets, White Settlement
Raykel Rodriguez, 817-924-5520

* **Lutz Woodworks LLC, Wylie**
Greg Lutz, 972-429-5521

Maco Manufacturing Inc, Temple
Mike Sant, 254-791-6943

* **Master's Builders, Inc, El Paso**
Rick Prat, 915-532-1007

* **MGC Inc., Houston**
David Mahood, 713-800-7300

* **Millennia Cabinetry Inc., Helotes**
Mia Elizalde, 210-688-3107

* **NC Group, Inc., Houston**
Daniel Tamez, 281-459-9418

OnePointe Solutions, Elgin
Don Carlson, 512-652-6292

* **Panel Specialists, Inc., Temple**
Matthew Robinson, 254-774-9800

* **Phoenix Millwork, Alvin**
Ian Hamilton, 281-388-2211

* **Pioneer Architectural Millwork, Houston**
Robert Crane, 713-461-8203

* **Pioneer Millworks, Inc., Amarillo**
Danny Castleman, 806-622-3201

* **Quality Mill Work by Brownco, LLC, Rowlett**
Jerry Brown, 214-830-4113

* **Quest Millwork, Stafford**
Jon Deutser, 832-391-3534

RD & S School Equipment Co., LLC, Marion
Ronald Dudo, 830-708-3777

* **Robert Shaw Mfg. Co., Inc., Fort Worth**
Julie Shaw, 817-927-2557

* **Roomi Group Corporation, Houston**
Faisal Hussain, 281-405-8165

* **Signature Cabinets, Dallas**
Perry Hix, 214-688-1966

Signature Millwork, Dallas
Signature Millwork, 972-241-9535

SRG Solutions, LLC, Houston
Kenneth Urban, 281-214-8560

Tesco Learning Environments, Bellville
Justin Hardy, 800-699-5824

Tomco, Inc., San Antonio
Tom McGee, 210-270-9510

* **Top Notch Cabinet Installation Inc., Manvel**
Pete Meade, 832-548-1483

* **Trauttschold Millwork, Ltd., Waco**
Mike Sheedy, 254-752-6547

Triton Industries Inc. dba Millwork Services,
San Marcos
Crystal Griffin, 512-805-0665

Tyler Wood Works, Inc., Troup
Connie Switzer, 903-842-2443

* **Valcour Casework Inc., Helotes**
Edward Clukey, 210-695-2155

Watson & Cochran Inc., Dallas
Kyle Cochran, 214-943-2033

Wood Perceptions, LLC, Dallas
Abraham Alfaro, 214-391-7373

Woodhaus, Carrollton
Jeff Dale, 972-245-8117

Utah

* **Anvil Cabinet & Mill, Brigham City**
Melanie Leishman, 435-723-5001

* **Associated Fixture Manufacturing Inc., Magna**
Scott Colledge, 801-250-7620

* **Boswell Wasatch Mill, Springville**
Chris Boswell, 801-489-7527

Clients Design Inc, North Salt Lake
Richard Brack, 801-296-1698

* **Contempo Cabinet & Mill, Salt Lake City**
Scott Carroll, 801-886-9111

* **Fetzers' Incorporated, West Valley City**
Erik Fetzer, 801-484-6103

* **Granite Mill & Fixture, West Valley City**
Matthew Sandberg, 801-467-3222

* **Huetter Mill & Cabinet Inc., Murray**
Heath Harkey, 801-263-9437

* **JLR - Fondell, Lehi**
John Kusterle, 801-768-4467

* **Mapleleaf Cabinets, Inc., West Valley City**
Kevin Affleck, 801-262-7741

* **Masterpiece Commercial Millwork, Lindon**
Darren McCabe, 801-406-9950

* **Montgomery Custom Cabinets, West Jordan**
Darin Montgomery, 801-679-9941

Oviatt Cabinet & Mill, Midvale
Christopher Mullins, 801-352-0617

* **Riverwoods Mill, Inc., Saint George**
Chris Peterson, 435-673-4145

Smith Stone Supply, Inc., Ogden
Michael Smith, 801-710-2998

Vermont

Green Mountain Millwork, Shelburne
John Charland, 802-985-8669

Virginia

* **Annandale Millwork & Allied Systems Corp., Winchester**
Robert Frogale, 540-665-9600

* **Arboleda Cabinets Inc., Richmond**
Guillermo Arboleda, 804-230-0733

* **Ashland Woodwork LLC, Ashland**
Doug Clark, 804-798-4088

BILTCO LLC, Lorton
Fernando Lamas, 703-372-5940

* **Blair Dumond Inc., Richmond**
Chris Saltonstall, 804-359-2090

* **Campostella Builders, Norfolk**
Doyle Palmer, 757-545-3212

Charles Yost Custom Cabinets, Newport News
Charles Yost, 757-873-2147

* **Clark's Lumber & Millwork, Inc., Fredericksburg**
Doug Clark, 804-448-9985

Coastal Creations, Inc., Virginia Beach
Jeffrey Beavers, 757-468-9613

Columbus Woodworks, Inc., Lynchburg
Tim Columbus, 434-528-1052

* **DK Finishing, Sterling**
David Klamer, 703-439-8702

Dominion Millwork Company, Inc., Bristow
Sam Shin, 703-372-1911

Fairfax Woodworking, Inc., Chantilly
Andrew Kim, 703-339-9578

Five Star Fab & Fixture, Salem
Terry Williams, 540-444-0456

* **Gaithersburg Cabinetry & Millwork, Warrenton**
Stephan Smith, 540-347-4551

* **Hackney Millwork, Inc., West Point**
Gene Hackney, 804-843-3312

* **IBS Corp., Manassas**
Paul Bell, 703-631-4011

* **J. T. Wood Products, Inc., Petersburg**
Jody Bakay, 804-733-8550

* **Jefferson Millwork & Design, Inc., Sterling**
Matt Hancock, 703-260-3370

* **Julian Swain Builders, Inc., Norfolk**
Julian Swain, 757-459-8000

* **Karn Custom Woodwork, Richmond**
Kenneth Kueny, 804-213-0300

* **Kearney & Associates, Inc., Culpeper**
Patrick Kearney, 540-423-9511



Firms in BOLD with asterisk are LICENSED participants in the AWI Quality Certification Program as of the print date. For an up-to-date status go to awiqcp.org.

Key Woodworking, Inc., Springfield
Ken Lee, 703-914-2526

*** Merchants Fixture, Ashland**

Brandon Wright, 804-798-9804

*** Mid-Atlantic Casework, LLC., Falmouth**

Shannon Mauro, 540-479-3390

*** Nielsen Builders, Inc., Harrisonburg**

Scott Lipscomb, 540-434-7376

Nycom Inc., Midlothian

Jonathan Nystrom, 804-794-3044

*** Paragon Casework, Chantilly**

Steve Humes, 703-802-1517

*** Potomac Architectural Millwork Corp., Woodbridge**

Nelly Mori-Giammerino, 703-440-6800

*** Premier Millwork & Lumber Co., Virginia Beach**

George Melnyk, 757-463-8870

*** Rockwood Specialties, LLC dba Serenity Cabinets and Millwork, Bassett**

Bradley Smart, 276-627-8010

S & T Commercial Cabinets LLC, Hampton

John Nissen, 757-726-2802

Shaffer Cabinet Works, Inc, Vernon Hill

Eric Shaffer, 336-215-1591

Virginia Casework Corp., Springfield

Enrique Angulo, 703-520-1000

Virginia Millwork, Richmond

James Hamilton, 804-266-5264

*** Wellingford Millwork, LLC., Manassas**

Jim Powers, 571-379-5500

Wilcox Woodworks Inc., Manassas

Daniel Wilcox, 703-369-3455

XP-Manufacturing, Richmond

Dan Smullen, 804-823-8770

Washington

*** AAA Cabinets & Millwork Inc., Airway Heights**

Tim Stewart, 509-484-7152

Burke Gibson LLC, Auburn

Scott Gibson, 253-735-4444

*** Cabinet Tech, LLC, Yakima**

Jason Cook, 509-575-0180

*** Central Cabinet Systems, Tacoma**

Gabe Kettler, 253-830-2409

Commercial CabinetWorks, Ridgefield

Charles Day, 360-857-3130

*** Custom Craft LLC, Sumner**

Todd Hegstad, 253-826-5450

*** Custom Source Woodworking, Inc, Tumwater**

Joe Wadsworth, 360-491-9365

*** Genothen Casework, Tumwater**

Terese Dwinal, 360-352-3636

*** In Store Services, Inc., Seattle**

Jeff Graham, 206-682-3934

Interior Wood Products, LLC, Olympia

Brian Ritter, 360-352-7273

Interior Woodworking Specialists, Redmond

Ed Basher, 425-881-1328

*** ML Fox Construction LLC, Everett**

Lori Fox, 425-397-6965

Pearson Millwork, Inc., Arlington

Kirsten Ingham, 360-435-9516

Skagit Architectural Millwork, Mount Vernon

Weston Wells, 360-336-9587

*** Specialty Wood Manufacturing, Tacoma**

Sonja Kallam, 253-531-1335

*** Ted Pancoast Woodworking, Kettle Falls**

Ted Pancoast, 509-675-5822

W.W. Wells Millwork LLC, Everett

Steve Oswald, 425-259-9155

West Virginia

*** Architectural Wood, LLC, Roncverte**

Don Finnegan, 304-647-3300

*** Chandler's Plywood Products, Huntington**

Bruce Mosser, 304-429-1311

*** Mott Manufacturing, LLC, Maxwelton**

Doug Walton, 304-497-2115

*** Plastic Sales Corporation, Charleston**

Andrew Carey, 304-744-9441

Wilson Quality Millwork, Inc., Elkins

John Wilson, 304-636-9096

Wisconsin

*** Architectural Forest Products, Two Rivers**

Jason Krings, 920-793-4404

*** C.L.S. Custom Laminating Specialists, Green Bay**

Jody Fuller, 920-434-4266

*** Carley Wood Associates, Inc., Madison**

Robin Carley, 608-249-7444

Cathedral Builders, Inc., Jackson

Jody Giacomini, 262-250-1985

*** Central Wisconsin Woodworking, Weston**

Scott Fletcher, 715-675-4491

ConceptWorks, Elkhart Lake

Andy Cleven, 920-565-3099

County Line Design LLC, Sun Prairie

Paul Novotny, 608-772-1409

*** Discher Architectural Millwork, Oshkosh**

Bruce Discher, 920-235-6500

Elipton Wood Products, Little Chute

Joe Hanson, 920-788-9322

Glenn Rieder, LLC, West Allis

Jackie Fessenbecker, 414-449-2888

Grommes Millwork Inc., Beloit

Douglas Clark, 608-362-8928

Hillcraft of Wisconsin, LLC, Madison

Eric Ostmo, 608-221-3220

*** Joseph A. Interiors, De Pere**

Thomas DeLeers, 920-347-5850

*** Lange Bros. Woodwork Co, Inc., Milwaukee**

Randy Lange, 414-466-2226

*** Midwest Millwork & Casework dba Creative Laminates**

Joe Neitzel, 608-783-5575

*** Nature-Tech, LLC, Milwaukee**

Jay Hollingsworth, 414-745-5949

*** O'Keefe Incorporated, River Falls**

Brian Troska, 715-425-8981

*** Oshkosh Door Company, Oshkosh**

Merle Visser, 920-233-6161

RJ Wood Industries Inc., Jackson

Mike Werner, 262-613-2798

Stuck Wood Works Inc., Milwaukee

Jeff Stück, 414-351-5595

INDEX TO ADVERTISERS

2020	2
Biesse	52
Birchland	7
Brooklyn Hardware	14
CCF	6
Chemcraft	6
Cooper	6
Daiek Woodworks	9
Eagle Mouldings	2
Federated Insurance	Inside Back Cover
Flexible Materials	14
Gemini	14
Häfele	8
Heartland Stairs	Back Cover
IMA Schelling	8
M. Bohlke Veneer	9
Milesi	4
Monarch Metal	7
Navy Island	Inside Front Cover
Precision Veneer	5
Quality Certification Program	15
Roseburg	8
Sherwin Williams	10
States Industries	7
Stiles Machinery	10
TradeSoft	1

TJ Hale Company, LLC, Menomonee Falls
Michael Luck, 262-255-5555

Trimpac, LLC, Stratford
Luke Moore, 715-384-4144

* **Wisconsin Built, Inc., Deerfield**
Dan Petersen, 877-928-4589

Wood Design Inc., Fort Atkinson
Lee Moldenhauer, 920-563-4833

Wyoming

* **Pinnacle Cabinet & Millwork, Inc., Cheyenne**
Gary Everett, 307-632-7497

Bahrain

Havelock One Interiors WLL, Manama
Jihad Raad, 973 1 783 2059

Kooheji Contractors, Manama
A. Rahim Al Kooheji, 973 1 770 4037

Canada – British Columbia

CN Architectural Millwork & Construction, Burnaby
Chandra Nair, 604-299-8715

* **Nikolai Manufacturing Inc., New Westminster**
Robert Roe, 604-525-8495

Peregrine, Burnaby
Brian French, 604-251-3174

* **Towne Millwork Ltd., Abbotsford**
Tyler Heskett, 604-850-7738

Canada – Manitoba

RJ Millwork Co Ltd, Winnipeg
David Hudon, 204-895-8962

Canada – Nova Scotia

* **Nova Wood Products Ltd., Lunenburg**
Scott McVittie, 902-634-4120

Canada – Ontario

* **CIF Lab Solutions LP, Vaughan**
Gustavo Grynszpan, 905-738-5821

Concept Millwork Corporation, London
Sandy McTavish, 519-668-6154

Doorland 2000, Woodbridge
Sergio Granzotto, 905-850-5190

* **Mirmil Products, Trenton**
Travis Walker, 613-394-1022

Provincial Store Fixtures Ltd., Mississauga
Edward Joubran, 905-564-6700

Canada – Quebec

* **Beaubois Group Inc., Saint-Georges**
Francois Lacombe, 418-228-5104

Classic Woodwork Inc., Sainte-Therese
Maxime Deraspe, 450-437-3327

* **Lambton Doors, Lambton**
Alexandra Jacques, 418-486-7401

Polybois, Inc., Thetford Mines
Luc McCutcheon, 418-338-4638

Que-Wood Mouldings, St-Jerome
Daniel Warnet, 450-430-0825

Hong Kong

* **Dongguan Sundart Home Furnishing Co., Hong Kong**
Richard Boo, +852 8 676 9912

Jordan

Specialized Wood Establishment Ltd., Amman
KHALID AIQARAMSEH, +962 96264129119

Mexico

DMX Shopfitting & Display, S.A. DE C.V., Iztapalapa
Carlos Westerman, +52 5255511

Qatar

Almuftah Carpentry, Doha
Tarek Shehab, +974 97444181862

Ismail Bin Ali (IBA) IBA Interiors, Doha
Hassan Ismail Alemadi, +974 97444600511

National Furniture and Decoration Factory,
Doha
Brenda Basila, +974 97444503340

Saudi Arabia

Al'Aalami Factory for Furniture & Wooden Ind., Riyadh
Faisal Kanaan, +966 55 786 5402

AL KUHAIMI WOOD INDUSTRIES, Riyadh
Naser Ababneh, +966 50 936 2636

Arabian Wood Work Co., Ltd, Jeddah
Basel Abukhadra, +966 966 12 620 0333

Binladin Woodwork Factory Co. Ltd., Jeddah
Zafer Karaman, +966 12 620 0163

INEX - Int'l. Expertise for Wood Industries Ltd., Jeddah
Ridwan Hubaiti, +966 2 635 2213

Saudi Binladin Group Production Center, Jeddah
Syed Abrar Ahmed, +966 2 225 0173

South Korea

DONGWHA K-TEAM Co., Ltd, Seogu
LEE JUNG HO, +82 107 637 0521

I-Des Interior & Furniture Inc, Seogu
byung sam min, +82 032611

Turkey

Kize Mobilya Imalat TasarÄm Urunleri Sanayi
ve Ticaret A.S., Istanbul, Arnavutkoy
Tolga Uludemirciler, +90 530 660 3349

* **Nergiz Decoration Ltd. Co., Ankara, Akyurt**
Kenan Nergiz, +90 312 398 1103

* **Papirus Ahsap Dekorasyon, Istanbul, Eyup**
Fisun Erman, +90 212 250 34 34

United Arab Emirates

Abanos Furniture and Decoration Industry
L.L.C., Dubai
Ashraf Mansour, +971 4 899 6111

Advanced Industries Group, Dubai
Imthiyas Chanath, +971 4 380 5844

Alpha Star Wood Joinery LLC, Dubai
K Kumar, +971 4 340 0214

* **Interiors International FZCO, Dubai**
Siraj Noorani, +971 4 886 2627

Leader LLC, Dubai
Shaban Alfaleet, +971 4 333 3331

Royal Joinery, Abu Dhabi
Yashar Shaar, +971 2 551 4999

AWI Supplier Members

Firms in **BOLD** with asterisk are **LICENSED** participants in the **AWI Quality Certification Program** as of the print date. Firms listed in **GOLD** are **sponsors** and/or **advertisers**.

2020 Technologies

514-332-4112 2020spaces.com

3form

800-726-0126 3-form.com

A Quality Finish Inc.

703-335-2085 aqualityfinish.com

A2 Zdraft.com Millwork Shop Drawings

855-999-0062 zdraft.com

Accuride International

562-372-6978 accuride.com

Adservco Group

481-148-1312 adservco.com

AdvancedDimensions.com (Dirig Design)

607-988-4040 advanceddimensions.com

Aljoe Woodwork Consultants

917-520-1100

Alliance Millsoft

800-721-2189 alliancemillsoft.com

Almsned Trading

9745-587-6905 almsnedtrading.com

American Laminates, Inc

209-869-2536 americanlaminates.com

American Systems & Installations

484-553-5321 asiinstall.com

Architectural Finishing Solution

714-630-4030 afinishing.com

Architectural Fixtures, Inc.

847-562-9944

Architectural Panel Products

561-265-0707 appi.us

Architectural Woodwork Services

765-647-3567 awswood.com

Archmaya Inc

248-981-7495 archmaya.com

ARK Woodwork Inc.

561-809-7957 arkwoodwork.com

Art for Everyday, Inc.

416-645-5120 artforeveryday.com

Art Magic Carpentry

204-912-0002 artmagic.on.ca

Association of Woodworking and Furnishings Suppliers (AWFS)

323-215-0317 awfs.org

Atlantic Plywood Corporation

781-897-4939 atlanticplywood.com

Axalta Coatings Systems

615-866-7887 axaltacoatingsystems.com

Bath/Kitchen & Tile Supply Co.

302-992-9220 bathkitchenandtile.com

Biesse America, Inc.

704-357-3131 biesseamerica.com

Birchland Plywood Veneer Ltd

705-842-2430 birchlandplywood.com

Blacks Outsourcing, Inc.

262-895-4015 blacksoustrouting.com

Blum Inc.

704-827-1345 blum.com

Boyce Highlands Inc.

603-753-1042 BoyceHighlands.com

Brooklyn Hardware Manufacturing

503-232-1171 panelclip.com

Brookside Veneers, Ltd.

609-409-1311 veneers.com

C T Finishing, Inc.

909-629-7402 ctfinishing.com

Cambio Plywood Div. of The Pearwood Group

401-942-8400 cambioplywood.net

Casewood, LLC

360-339-4872 casewood.net

CCF Industries

800-581-3683 ccfdrawers.com

Chabros International Group FZCO

9714-880-7078 chabros.com

Charles F. Shiels & Company

513-241-0239 shielsinglumber.com

Chemcraft

336-841-5111 chemcraft.com

Cienapps Smart Woodworking

450-323-1003 cienapps.com

Columbia Forest Products Inc.

503-224-5300 columbiaforestproducts.com

Convergence Carpentry

703-253-3574

Cord Contracting

516-626-8829 cordco.com

Cornerstone Interior Woodworking

260-357-0754 cornerstoneinteriorwood.com

Craftsmanship Installations, Inc.

919-286-3000 craftsmanshininstallations.com

Cre8tive Technology & Design

858-457-2786 ctnd.com

Crown Veneer Corp.

610-869-8771 crownveneer.com

Custom Caseworks

320-259-5190 customcaseworks.com

Custom Crafted Door

309-527-5075

Custom Plywood Inc.

812-944-7300

CWP Architectural

514-846-8883 cwparchitectural.com

Diamond Vogel, Industrial Wood Coatings

920-467-7850 diamondvogel.com

Dimension Plywood, Inc.

812-944-6491 dimensionhardwoods.com

*** Diversified Educational Systems**

540-687-7060 des.com

Diversified Wood Products

812-284-9775 diversifiedwp.com

Dixie Plywood & Lumber Companies

912-447-7090 dixieply.com

DLI Incorporated

561-586-1118 dliincorporated.com

Dooge Veneers, Inc

616-698-6450 doogeveneers.com

Dovetail Recruiting

303-328-7790

Drafting Solutions Inc.

513-745-9732 draftingsolutionsinc.com

Drawer Connection, Inc

480-917-4887 drawerconnection.com

Duratherm Window Corporation

207-872-5558 durathermwindow.com

E.B. Bradley Co

323-585-9201 ebb Bradley.com

Eagle Mouldings

763-493-2995 eagle-aluminum.com

Egger Wood Products LLC

336-843-7012

Elkwood Installation Services

717-354-6618 elkwoodconstruction.com

Etemplate Systems

919-676-2244 etemplatesystem.com

ETR Woodwork Installation, Inc.

561-674-3663

Federated Insurance

800-533-0472 federatedinsurance.com

Felder Gruppe

302-322-7732 felderusa.com

Festool USA

888-337-8600 festoolusa.com

Fixture-Pro, Inc.

707-545-3901 fixture-pro.com

Flex Trim by Carter Millwork

800-861-0734 flextrim.com

Flexible Materials, Inc.

812-280-7000 flexwood.com

Florida Stairworks & Carpentry LLC

239-489-1177 flordastair.com

FormWood Industries, Inc.

812-284-3676 formwood.com

Fry Reglet

626-676-7114 fryreglet.com

Fulterer USA

336-431-4646 fultererusa.com

Gemini Industries, Inc.

405-262-5710 gemini-coatings.com

GL Veneer

323-582-5203 glveneer.com

Gleeson Construction Inc.

440-247-8775 gleesonconstruction.com

Global Millwork Services

732-781-5270 globalmillworks.com

GoKeyless

937-247-9327 gokeyless.com

Graham Division of ASSA ABLOY, Inc.

417-616-8237 grahamdoors.com

Grass America Inc.

336-996-4041 grassusa.com

Greenline Industries Inc.

843-846-4648 greenlineforest.com

Gulf Trade Link FZCO

55-566-9533 FIREBAN.NET

*** H.J. Martin and Son**

920-544-4232 hjmartin.com

Häfele America Co.

336-434-2322 hafele.com/us

Haley Brothers, Inc.

714-670-2112 haleybros.com

Hardline Corporation

231-276-0170 hardlinecorp.com

Hardware Resources

972-386-8429 hardwareresources.com

Hargrave Builders, Inc.

847-742-7828 hargravebuilders.com

Healy Drafting

620-404-8243 healydrafting.com

Heidler Hardwood Lumber Co.

773-847-7444 heidlerhardwood.com

Heitink Plywood Technologies, Inc.

812-336-6436 heitink.us

Herzog Veneers, Inc.

336-434-4053 veneeronline.com

Hettich America L.P.

800-777-1772 hettich.com

Höcker North America

616-881-3328 hockeramerica.com

Holden & Flynn Universal Contr. Inc.

917-256-0329

IMA Schelling Group USA

919-544-0430 imaschelling.us

Indiana Architectural Plywood

317-878-4822 iaplywood.com

INNERGY

320-267-4025 innergy.com

Intermountain Wood Products

801-486-5414 intermountainwood.com

Interwood Forest Products, Inc.

502-633-0017 ifpveneer.com

*** ISEC Inc.**

303-790-1444 isecinc.com

Italo Cantu Group, LLC

305-766-6419

JC Wood Installations

305-335-8622 jcwoodservices.com

JD James, Inc.

850-997-8585 jdjamescorp.com

Jim Mammina Consulting, Inc.

360-999-8785 jmconsult.us

K. Alger Woodworking

401-228-5254 kalgerwoodworking.com

Kambium, Inc.

952-469-2400 kambium.com

KegWorks

716-362-9212 kegworks.com

Kerfkore Company

912-264-6496 kerfkore.com

Kinon Surface Design, Inc.

561-600-2500 kinon.com

Klingspor Abrasives, Inc.

828-322-3030

*** Latta Construction-Texas, LLC**

214-596-1744 lattaconstruction.com

Lenmar Manufactured by Benjamin Moore & Co.

800-225-5554 lenmar-coatings.com

Leuco Tool Corporation

770-459-5784 leucotool.com

Lewis Lumber Products, Inc.

570-584-4460 lewislp.com

Lockdowel, Inc.

650-477-7112 lockdowel.com

Lynden Door, Inc.

360-354-5676 lyndendoor.com

M. Bohlke Veneer Corporation

513-874-4400 mbveneer.com

M.L. Campbell Company

216-515-7784 mlcampbell.com

Materials Inc.

201-968-0101 materialsinonline.com

Merrill Lynch

719-630-6060

Metrie

623-326-0121 metrie.com

Microvellum Software

541-664-1625 microvellum.com

Milesi Wood Coatings

224-434-7990 milesi.us

MOCORP Inc. Custom Metal Fabrication

763-441-9978 mocorpinc.net

Monarch Metal Fabrication Inc.

631-563-8967 monarchmetal.com

Nationwide Fixture Installations, Inc.

763-540-0351 nfi-usa.com

Navy Island, Inc.

651-451-4454 navyisland.com

Newman Lumber Co

228-832-1899 newmanlumber.com

*** Newtech Installation USA Inc.**

860-344-1261 newtechinstallation.com

Nightingale Architectural Doors

972-875-1134 nightingaledoors.com

Noreaster Installations Inc.

860-376-0555 noreaster-installations.com

*** Northeast Interior Systems, Inc.**

401-721-5600 neis.cc

*** Northway Industries**

570-837-1564 northwayind.com

NPF Consultants

410-480-9757 crowsnestsoftware.com

Numatic Finishing Corporation

253-939-2391

Oakwood Veneer Company

248-720-0288 oakwoodveneer.com

OE Custom

410-844-4684 oecustom.com

OHC

251-330-7716 ohc.net

Ohio Valley Door Corporation

812-945-5285 ohiovalleydoor.com

Olympus Lock Inc.

206-362-3290 olympus-lock.com

Orange Aluminum

877-464-2181 orangealuminum.com

Oregon Door Company

541-679-6791 oregondoor.com

Osborne Wood Products Inc.

706-886-1065 osbornewood.com

Pacific Architectural Wood Products Inc.

503-284-0024

Paragon Enterprises, Inc.

865-212-4170 millworkcadcam.com

Patrick Industries, Inc.

574-294-7511 patrickind.com

Pennsylvania Lumbermens Mutual Insurance Co.

800-752-1895 plmins.com

People Logic Software Corp.

250-475-1392 peoplelogicssoftware.com

Ply-Tech Corporation

270-678-2941 plytechcorp.com

PLYWOOD EXPRESS

954-956-7576 plywoodexpress.com

Pollmeier, Inc.

503-349-5807 pollmeier.com

Precision Veneer Products

519-758-0960 precisionveneer.com

Pro-Ply Custom Plywood Inc.

905-564-2327 proply.com

Renaissance Specialty Veneer Products

812-375-1178 rsvveneer.com

Resource Engineering, Inc.

352-332-0767 resourceengineering.com

Rex Lumber Company

978-263-0055 rexlumber.com

Richelieu America Limited

716-893-9663

Richwood Industries, Inc.

616-243-2700 richwoodind.com

Rockwood Door & Millwork

330-893-2392 rockwooddoor.com

Roseburg

541-679-3311 roseburg.com

Roy Metal Products

418-259-2711 roymetalinc.com

RSA Solutions

866-930-0772 rogershaw.com

Rudd Company Inc.

800-444-7833 ruddcompany.com

*** SJ Morse Company**

304-856-3423 sjmorse.com

Salice America, Inc.

704-841-7810 saliceamerica.com

Saunders Wood Specialties

715-762-3916 saunderswood.com

SCM Group North America

770-813-8818 scmgroup-usa.com

SD Verret Company

804-794-2001 sd-verret.com

Select Door

800-535-9335 selectcustomdoor.com

Sherwin Williams Company

216-566-1688 oem.sherwin-williams.com

*** Sieling & Jones Inc.**

717-235-7931 sielingandjones.com

Somerset Door & Column

814-444-9427 doorandcolumn.com

Southern Premier Millwork LLC

727-359-9157 southernpremiermillwork.com

SR Wood, Inc.

812-288-9200 srwoodinc.com

Star Hanger Systems

803-730-4463 starhanger.com

Star Moulding & Trim Company

708-458-1040 starmoulding.com

Starlite Building Services Inc.

617-622-7000 starlitebuildingservices.com

States Industries LLC.

541-688-7871 statesind.com

Stiles Machinery, Inc.

616-698-7500 stilesmachinery.com

Superfici America, Inc.

704-875-8751 superficiamerica.com

Sweetwater Lumber & Land Co., Inc.

770-941-4932 sweetwaterlumber.com

Talbert Architectural Panels & Doors, Inc.

714-671-9700 talbertusa.com

The Wood Gallery Inc.

972-869-9161 woodgallery.biz

Timber Products Company

541-747-4577 timberproducts.com

TNS Specialty Products LLC

201-522-6466

TraceWorks LLC

313-995-8104 traceworksllc.com

Tradesoft, Inc.

770-579-9096 tradesoftinc.com

Upstate Door, Inc.

585-786-3880 upstatedoor.com

VELOCITY - The Drafting Pros

312-758-5678 velocitydrafting.com

Veneer One

516-536-6480

Veneer Technologies, Inc.

252-223-5600 veneertech.com

Vicwood Group

5126-539-3117 acfairbankconsulting.ca/vicwood

WEINIG/HOLZ-HER

704-799-0100 weinigusa.com

Wilsonart

800-433-3222 wilsonart.com

Woodtech Trading Company

406-892-5140 woodtechdoor.com

Protecting Your American Dream

Face to face,
eye to eye, delivering
innovative risk
management solutions
for your industry.



Scan to read our
latest HR Question
of the Month article.



HR QUESTION ?
of the month

Commercial Insurance | Property & Casualty | Life & Disability Income | Workers Compensation | Business Succession and Estate Planning | Bonding
Federated Mutual Insurance Company and its subsidiaries* | federatedinsurance.com | Ward's 50® Top Performer | A.M. Best® A+ (Superior) Rating

20.04 Ed. 12/19 *Not licensed in all states. © 2019 Federated Mutual Insurance Company



**CUSTOM
STAIRCASES *for*
EXTRAORDINARY
SPACES**

Our stairways are as unique as the homes and businesses they reside inside, and are carefully built by Amish craftsmen. You dream it, we'll build it.

At Heartland Stairways, we pride ourselves on the ability to make any project a reality.

In-house iron and woodworking | Comfortable tackling complex projects | Design consulting and experience

The ability to work with glass and other materials | Nationwide turnkey service | Award-winning stair designs



HeartlandStairways.com